



Project \_\_\_\_\_

Item No. \_\_\_\_\_

Quantity \_\_\_\_\_

## EDO 57 SERIES

Electric Deck Pizza Ovens

### Model(s) Available

- EDO 57 Single** - Single oven with 36" x 57" cooking surface
- EDO 57 Double** - Double oven with 36" x 57" cooking surface per section
- EDO 57 Triple** - Triple oven with 36" x 57" cooking surface per section



## Construction

- 7" (178mm) baking chamber
- 1" thick hearth stone decks
- Moisture vent located at top rear of oven.
- 18 gauge stainless steel exterior front and sides for a beautiful look and durable design
- 18 gauge aluminized steel interiors
- Ultra high temperature fiberglass insulation
- Revolutionary electric coil burner system, ensuring an even distribution of heat throughout the baking deck

## Operation

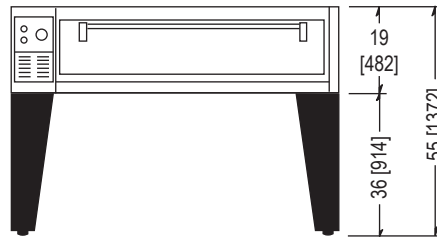
- 300°F - 700°F temperature range
- Infinite top and bottom heat controls

## Standard Features

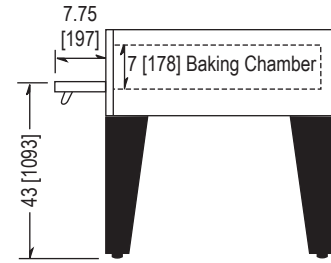
- Four electrical configurations (*must specify when ordering*)
  - 208V, 1 phase
  - 208V, 3 phase
  - 220-240 V, 1 phase
  - 220-240, 3 phase
- Warranty: 1 year labor, 18 months parts

SHORT FORM SPECIFICATIONS: Provide Marsal model EDO 57 (single, double or triple) electric deck oven. Unit shall have 7" (178mm) high baking chamber and 1" thick hearth stone deck. Construction shall be 18 gauge stainless steel exterior front and sides with 18 gauge aluminized steel interiors. Unit shall have ultra high temperature fiberglass insulation. A revolutionary electric coil burner system, ensuring an even distribution of heat throughout the baking deck. A moisture vent shall be located at top rear of the oven. Infinite top and bottom heat controls feature a 300°F - 700°F temperature range. Provide with eighteen month oven parts and one year labor warranty.

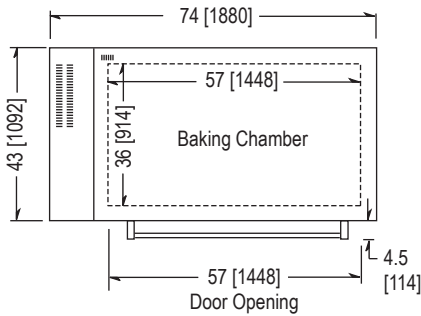
DIMENSIONS ARE IN INCHES [MM]



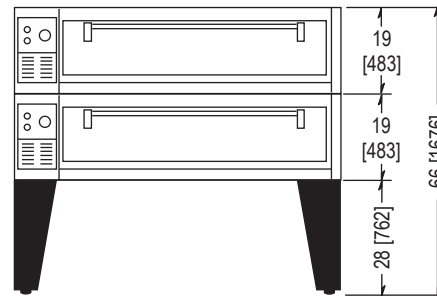
FRONT VIEW - EDO 57 Single



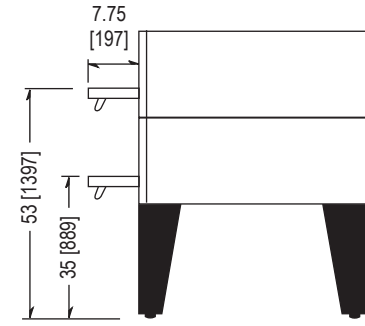
SIDE VIEW - EDO 57 Single



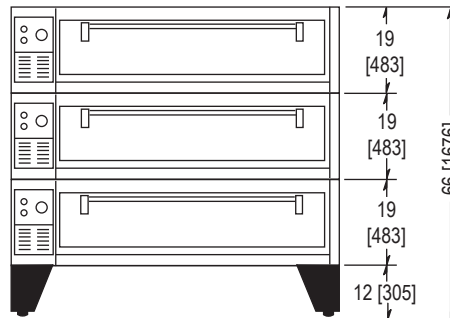
TOP VIEW - All Models



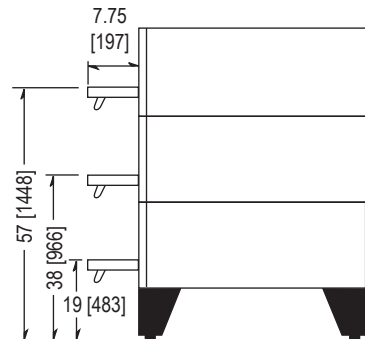
FRONT VIEW - EDO 57 Double



SIDE VIEW - EDO 57 Double



SIDE VIEW - EDO 57 Triple



SIDE VIEW - EDO 57 Triple

### Required Clearances

- 0" on rear and right sides
  - 3" on left side
- (6" on left side is recommended for ease of service)

## Specifications

	EDO 57 Single	EDO 57 Double	EDO 57 Triple
<b>Height</b>	55" [1397]	66" [1676]	69" [1757]
<b>Depth &amp; Length</b>	43" x 74" [1092 x 1880]	43" x 74" [1092 x 1880]	43" x 74" [1092 x 1880]
<b>Cooking Surface</b>	36" x 57" [914 x 1448]	(2) 36" x 57" [914 x 1448]	(3) 36" x 57" [914 x 1448]
<b># of Decks</b>	1	2	3
<b>Shipping Weight</b>	870 lbs (395 kg)	1650 lbs (748 kg)	2430 lbs (1102 kg)

## Power Supply (all models)

Watts	12,000	12,000	12,000	12,000
<b>Voltage</b>	208	220-240	208	220-240
<b>Phase</b>	1	1	3	3
<b>Amps</b>	58	52	33	30
<b>Hz</b>	60 or 50			



All designs and specifications presented in this document are subject to change without notice due to constant innovation.