



**WF WAVE SERIES: WF 42 AND WF 60
PIZZA OVENS
REPLACEMENT PARTS LIST**

EFFECTIVE JUNE 26, 2023

Superseding All Previous Parts Lists.

The Company reserves the right to make substitution in the event that items specified are not available.

ERRORS: Descriptive and/or typographic errors are subject to correction.

MARSAL

42 Allen Martin Drive, Essex Junction, VT 05452 USA Telephone: (802) 658-6600 Fax: (802) 864-0183
www.marsalovens.com

P/N 72618 Rev U

TABLE OF CONTENTS

GAS CONVERSION KITS

WF 42 & WF 60 OVENS	3
---------------------------	---

BURNER COMPARTMENT COMPONENTS

WF 42 OVEN	4
------------------	---

WF 60 OVEN	5
------------------	---

BURNER AND PIPING PARTS

WF 42 OVEN	6
------------------	---

WF 60 OVEN	7
------------------	---

BAKING COMPARTMENT COMPONENTS

WF 42 OVEN	8
------------------	---

WF 60 OVEN	9
------------------	---

DOOR PARTS

WF 42 OVEN	10
------------------	----

MB 60 OVEN	11
------------------	----

BRICK COMPONENTS

WF 42 OVEN	12
------------------	----

WF 60 OVEN	13
------------------	----

MISC. EXTERIOR COMPONENTS

WF 42 OVEN	14
------------------	----

WF 60 OVEN	15
------------------	----

ELECTRICAL COMPONENTS

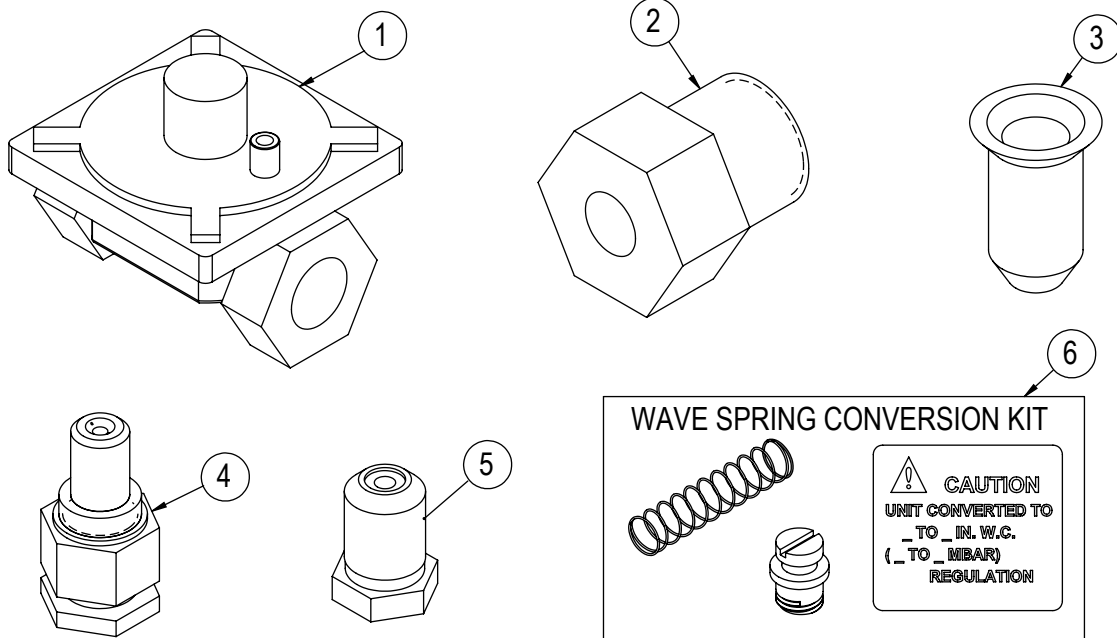
WF 42 & WF 60 OVENS	16
---------------------------	----

ACCESSORIES	17
--------------------------	----

LIGHT ASSEMBLY & ELECTRICAL	18
--	----

GAS CONVERSION KITS

WF 42 & WF 60 OVENS



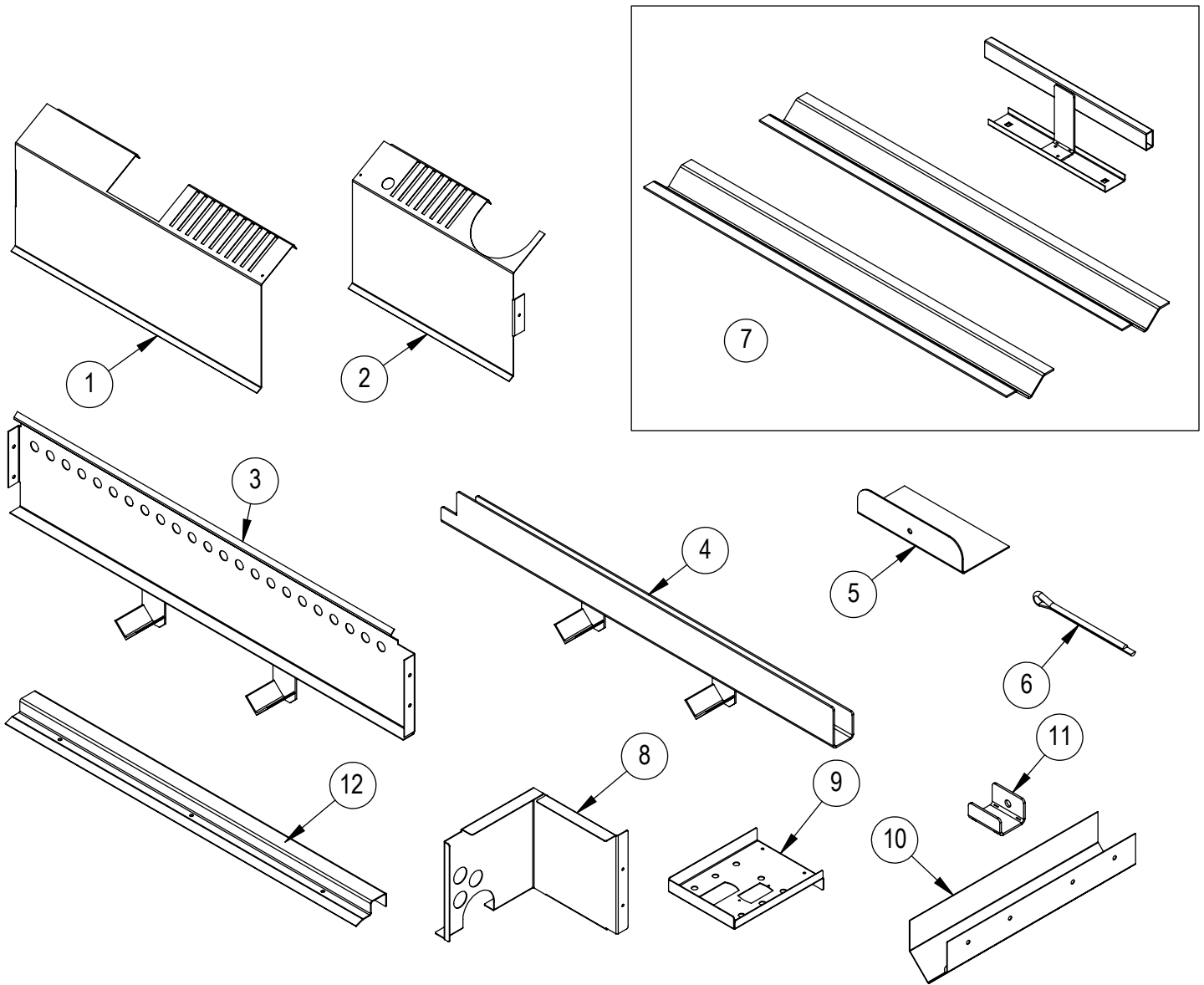
REF. NO.	PART NO.	DESCRIPTION
		Natural to LP Gas Conversion Kit
1	70386	GAS REGULATOR, LP
2	SEE CHART	BURNER ORIFICE
3	72708	PILOT UPGRADE KIT, NAT OR LP
4	71969	PILOT ORIFICE, LP SIDE BURNER
5	70472	BURNER ORIFICE, LP SIDE BURNER
6	18612	SPRING CONVERSION KIT, NAT TO LP

REF. NO.	PART NO.	DESCRIPTION
		LP to Natural Gas Conversion Kit
1	70385	GAS REGULATOR, NAT
2	SEE CHART	BURNER ORIFICE
3	72708	PILOT UPGRADE KIT, NAT OR LP
4	71968	PILOT ORIFICE, NAT SIDE BURNER
5	71790	BURNER ORIFICE, NAT SIDE BURNER
6	23007	SPRING CONVERSION KIT, LP TO NAT

MB BURNER ORIFICES		
MODEL	NATURAL	PROPANE
WF42	70381	70492
WF60	70383	70491

BURNER COMPARTMENT COMPONENTS

WF 42 OVEN

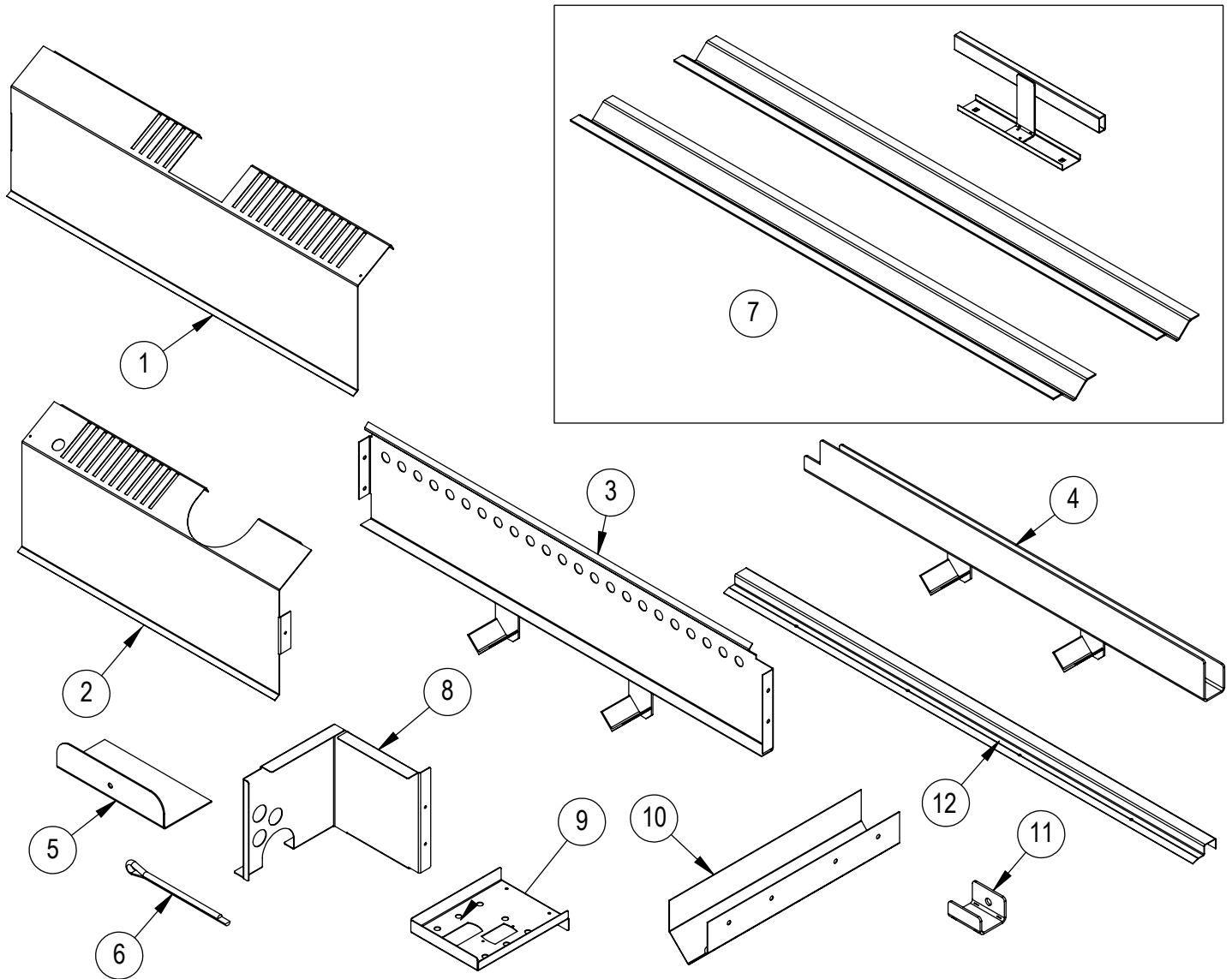


REF. NO.	PART NO.	DESCRIPTION
1	70298	HEAT SHIELD, LH
2	71818	HEAT SHIELD, RH
3	70081	BAFFLE ASSY, LH
4	71753	BAFFLE ASSY, RH
5	70057	FD HOLDDOWN
6	70084	COTTER PIN, 7/64 X 1-3/4

REF. NO.	PART NO.	DESCRIPTION
7	71902	DEFLECTOR KIT
8	71718	PILOT BOX
9	71719	TOP, PILOT BOX
10	71710	SIDE BURNER SHIELD
11	71713	BRACKET, SHIELD
12	71821	WIRE COVER, WF42

BURNER COMPARTMENT COMPONENTS

WF 60 OVEN

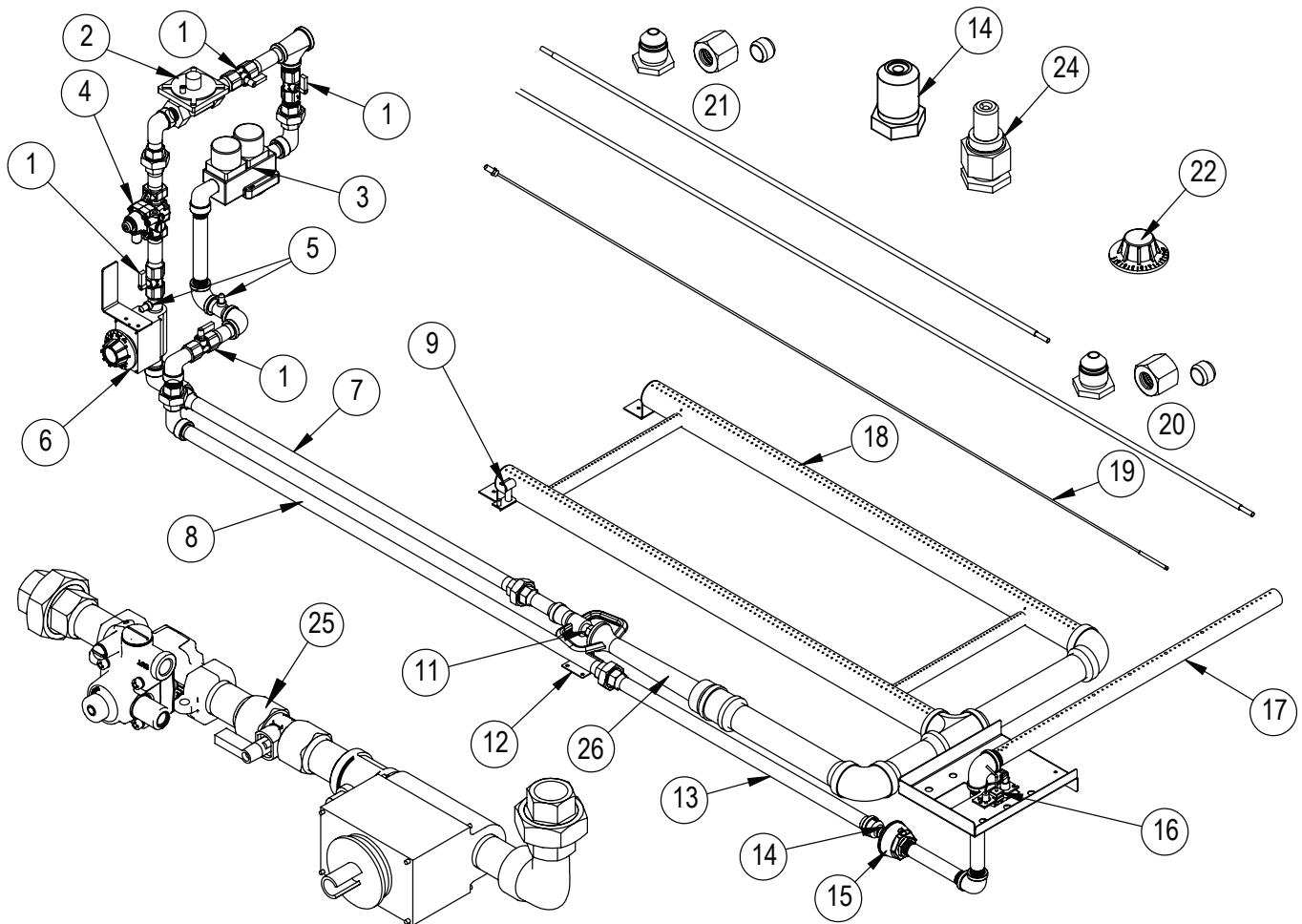


REF. NO.	PART NO.	DESCRIPTION
1	70054	HEAT SHIELD, LH
2	71757	HEAT SHIELD, RH
3	70081	BAFFLE ASSY, LH
4	71753	BAFFLE ASSY, RH
5	70057	FD HOLDDOWN
6	70084	COTTER PIN, 7/64 X 1-3/4

REF. NO.	PART NO.	DESCRIPTION
7	71901	DEFLECTOR KIT
8	71718	PILOT BOX
9	71719	TOP, PILOT BOX
10	71710	SIDE BURNER SHIELD
11	71713	BRACKET, SHIELD
12	71766	WIRE COVER, WF60

BURNER AND PIPING PARTS

WF 42 OVEN



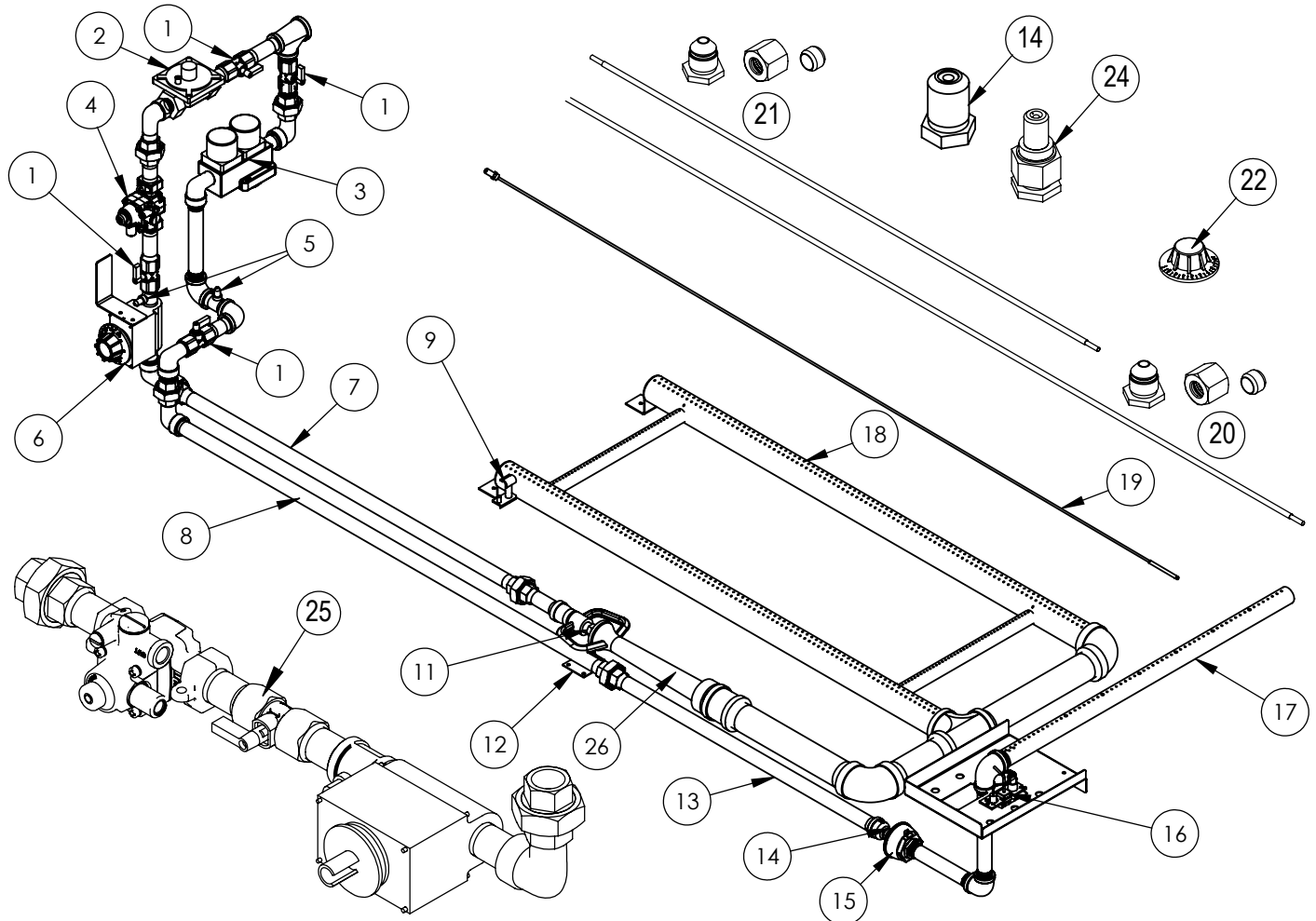
REF. NO.	PART NO.	DESCRIPTION
1	70380	BALL VALVE, 1/2" NPT
2	71881	GAS REGULATOR KIT, NAT
2	71882	GAS REGULATOR KIT, LP
3	70447	DUAL SOLENOID VALVE
4	55127	TS11 SAFETY VALVE, 1/4" TUBE FIT
5	70434	PRESSURE TAP, 1/8"
6	71989	THERMOSTAT, 1-10 W/KNOB
7	70299	1/2" NPT X 24" PIPE
8	70042	1/2" NPT X 33-1/4" PIPE
9	72708	PILOT UPGRADE KIT, NAT OR LP
11	70381	ORIFICE, #22 (NAT)
11	70492	ORIFICE, #37 (LP)
12	70049	VENTURI STOPPER
13	71729	1/2" NPT X 4-1/2" PIPE
14	71790	SIDE BURNER ORIFICE, #33
14	70472	SIDE BURNER ORIFICE, #48
15	71725	AIR MIXING CHAMBER

REF. NO.	PART NO.	DESCRIPTION
16	70449	PILOT ASSY, SIDE BURNER, NAT**
17	71738	SIDE BURNER TUBE, CAPPED
18	71839	BURNER ASSY
19	100653	THERMOCOUPLE, 48" LEAD
20	72292	PILOT TUBE KIT, 114"
21	72290	PILOT TUBE KIT, 42"
22	70486	THERMOSTAT KNOB, 1-10
24	71968	PILOT ORIFICE, SIDE BURNER, NAT
24	71969	PILOT ORIFICE, SIDE BURNER, LP
25	70040	STACK ASSEMBLY
26	70094	VENTURI
	72596	VENTURI DISK
	72597	ORFICE HOLDER, MAIN BURNER
	72598	LOCKNUT, HEX 5/8"-18

**ORDER WITH 70485 "LP PILOT ORIFICE CUP" FOR LP OVENS.

BURNER AND PIPING PARTS

WF 60 OVEN



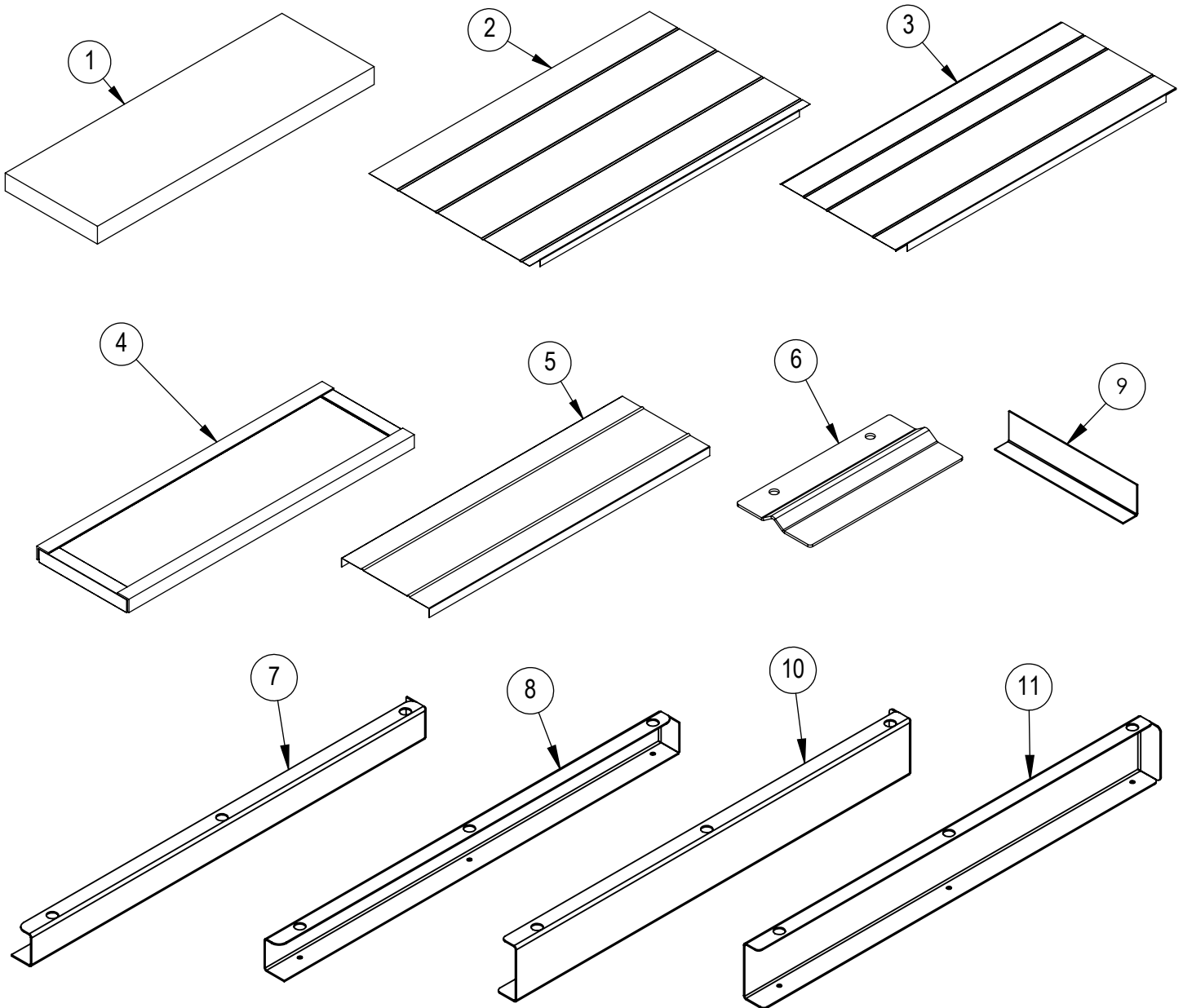
REF. NO.	PART NO.	DESCRIPTION
1	70380	BALL VALVE, 1/2" NPT
2	71881	GAS REGULATOR KIT, NAT
2	71882	GAS REGULATOR KIT, LP
3	70447	DUAL SOLENOID VALVE
4	55127	TS11 SAFETY VALVE, 1/4" TUBE FIT
5	70434	PRESSURE TAP, 1/8"
6	71989	THERMOSTAT, 1-10 W/KNOB
7	71794	1/2" NPT X 27-3/4" PIPE
8	70042	1/2" NPT X 33-1/4" PIPE
9	72708	PILOT UPGRADE KIT, NAT OR LP
11	70383	ORIFICE, 3/16 (NAT)
11	70491	ORIFICE, #35 (LP)
12	70049	VENTURI STOPPER
13	71727	1/2" NPT X 21-1/2" PIPE
14	71790	SIDE BURNER ORIFICE, #33 (NAT)
14	70472	SIDE BURNER ORIFICE, #48 (LP)
15	71725	AIR MIXING CHAMBER

REF. NO.	PART NO.	DESCRIPTION
16	70449	PILOT ASSY, SIDE BURNER, NAT**
17	71738	SIDE BURNER TUBE, CAPPED
18	71791	BURNER ASSY
19	100653	THERMOCOUPLE, 48" LEAD
20	72292	PILOT TUBE KIT, 114"
21	72290	PILOT TUBE KIT, 42"
22	70486	THERMOSTAT KNOB, 1-10
24	71968	PILOT ORIFICE, SIDE BURNER, NAT
24	71969	PILOT ORIFICE, SIDE BURNER, LP
25	70040	STACK ASSEMBLY
26	70094	VENTURI
	72596	VENTURI DISK
	72597	ORFICE HOLDER, MAIN BURNER
	72598	LOCKNUT, HEX 5/8"-18

**ORDER WITH 70485 "LP PILOT ORIFICE CUP" FOR LP OVENS.

BAKING COMPARTMENT COMPONENTS

WF 42 OVEN

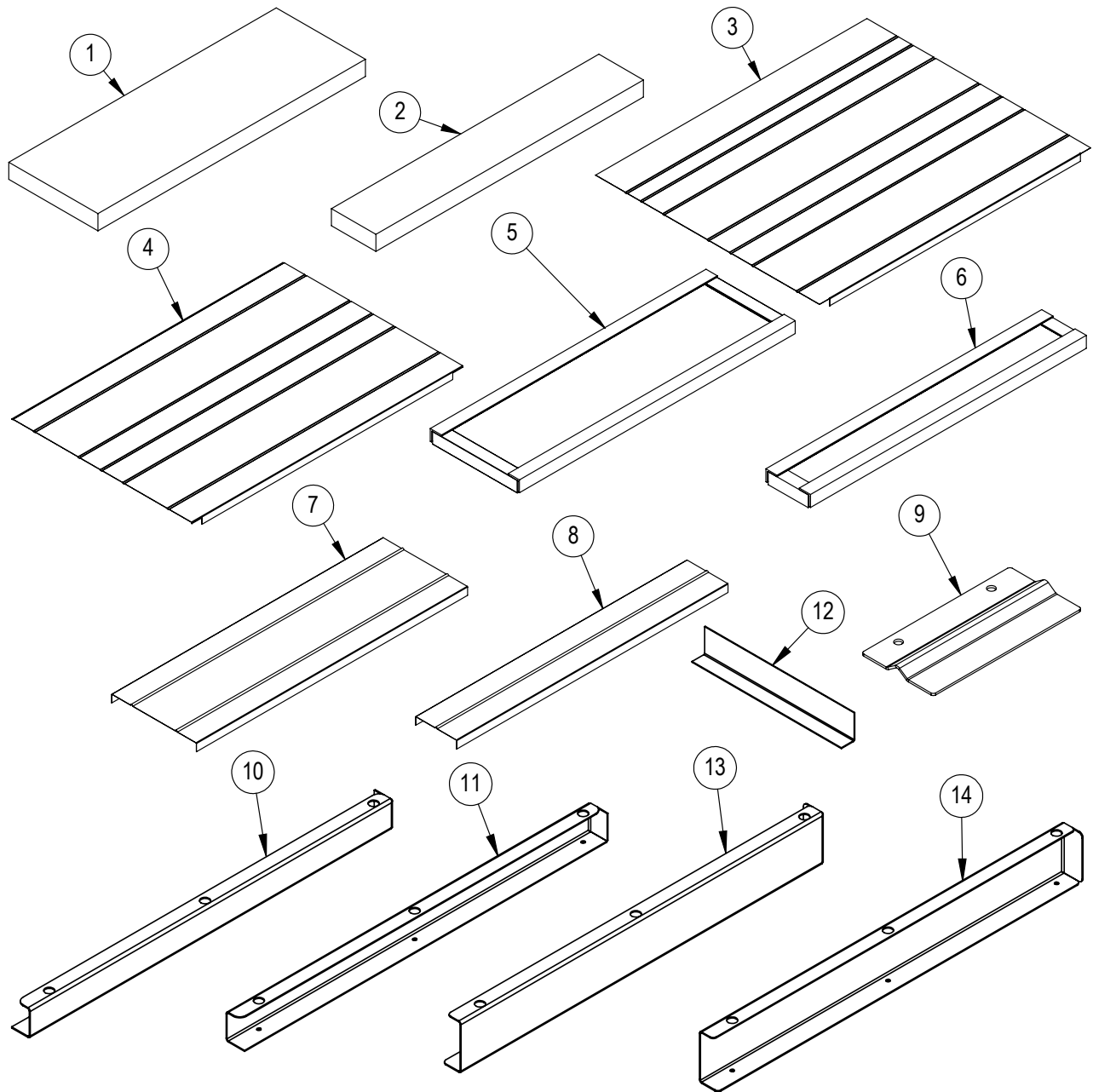


REF. NO.	PART NO.	DESCRIPTION
1	70248	DECK STONE, 12 X 36 X 2
2	70294	BRICK PLATE, LH
3	71819	BRICK PLATE, RH
4	70058	BRICK BASE, 37-1/8 X 12
5	70059	BRICK BAFFLE
6	71745	THERMOSTAT BULB HOLDER

REF. NO.	PART NO.	DESCRIPTION
7	70109	BRICK BRACKET, TOP LEFT
8	70110	BRICK BRACKET, TOP RIGHT
9	70319	BRICK BRACKET, TOP END
10	71769	WF BRICK BRACKET, TOP LEFT
11	71770	WF BRICK BRACKET, TOP RIGHT

BAKING COMPARTMENT COMPONENTS

WF 60 OVEN

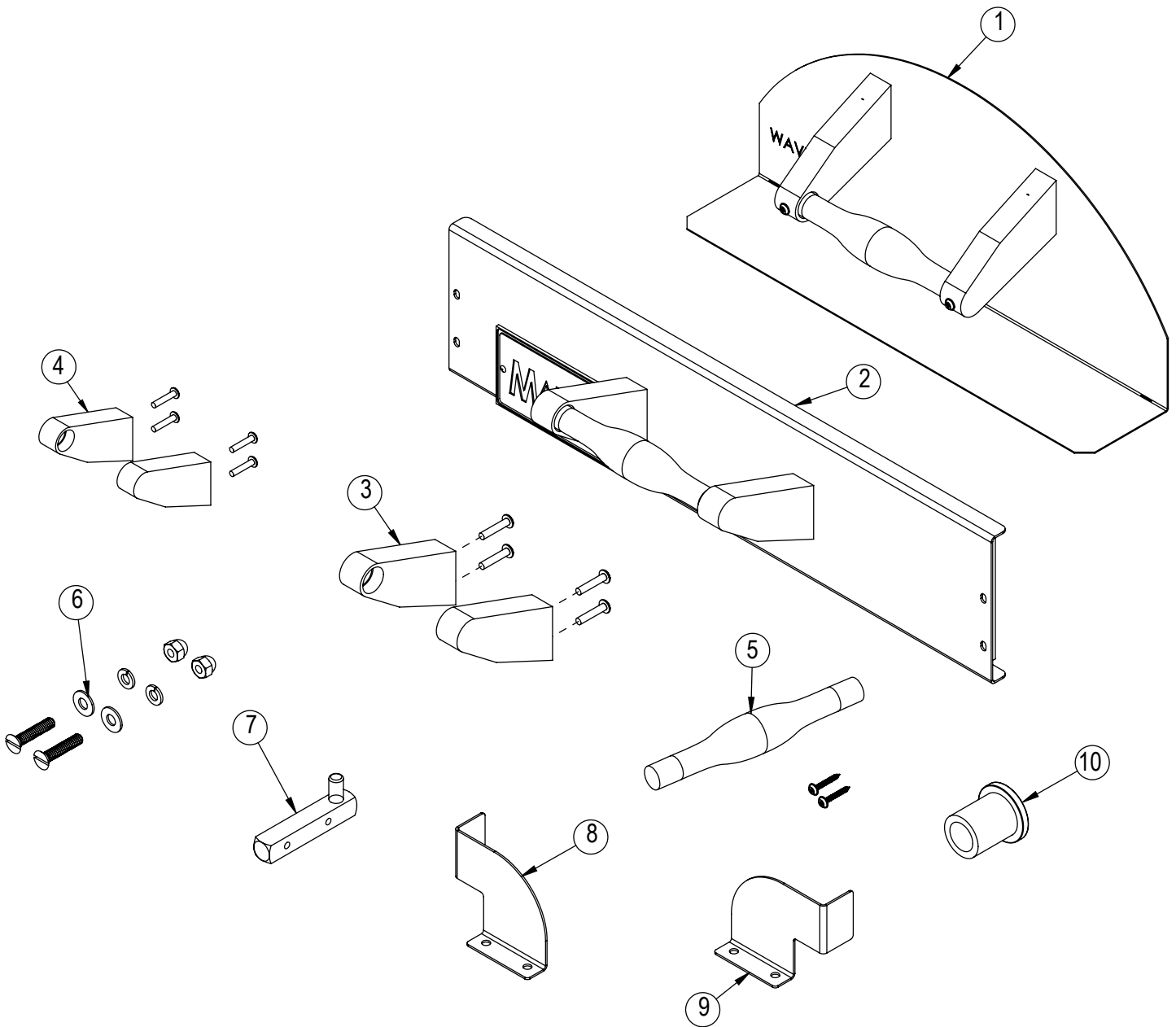


REF. NO.	PART NO.	DESCRIPTION
1	70248	DECK STONE, 12 X 36 X 2
2	70249	DECK STONE, 6 X 36 X 2
3	70060	BRICK PLATE, LH
4	71758	BRICK PLATE, RH
5	70058	BRICK BASE, 37-1/8 X 12
6	70291	BRICK BASE, 37-1/8 X 6
7	70059	BRICK BAFFLE

REF. NO.	PART NO.	DESCRIPTION
8	70293	BRICK BAFFLE, RH
9	71745	THERMOSTAT BULB HOLDER
10	70109	BRICK BRACKET, TOP LEFT
11	70110	BRICK BRACKET, TOP RIGHT
12	70111	BRICK BRACKET, TO END
13	71769	WF BRICK BRACKET, TOP LEFT
14	71770	WF BRICK BRACKET, TOP RIGHT

DOOR PARTS

WF 42 OVEN

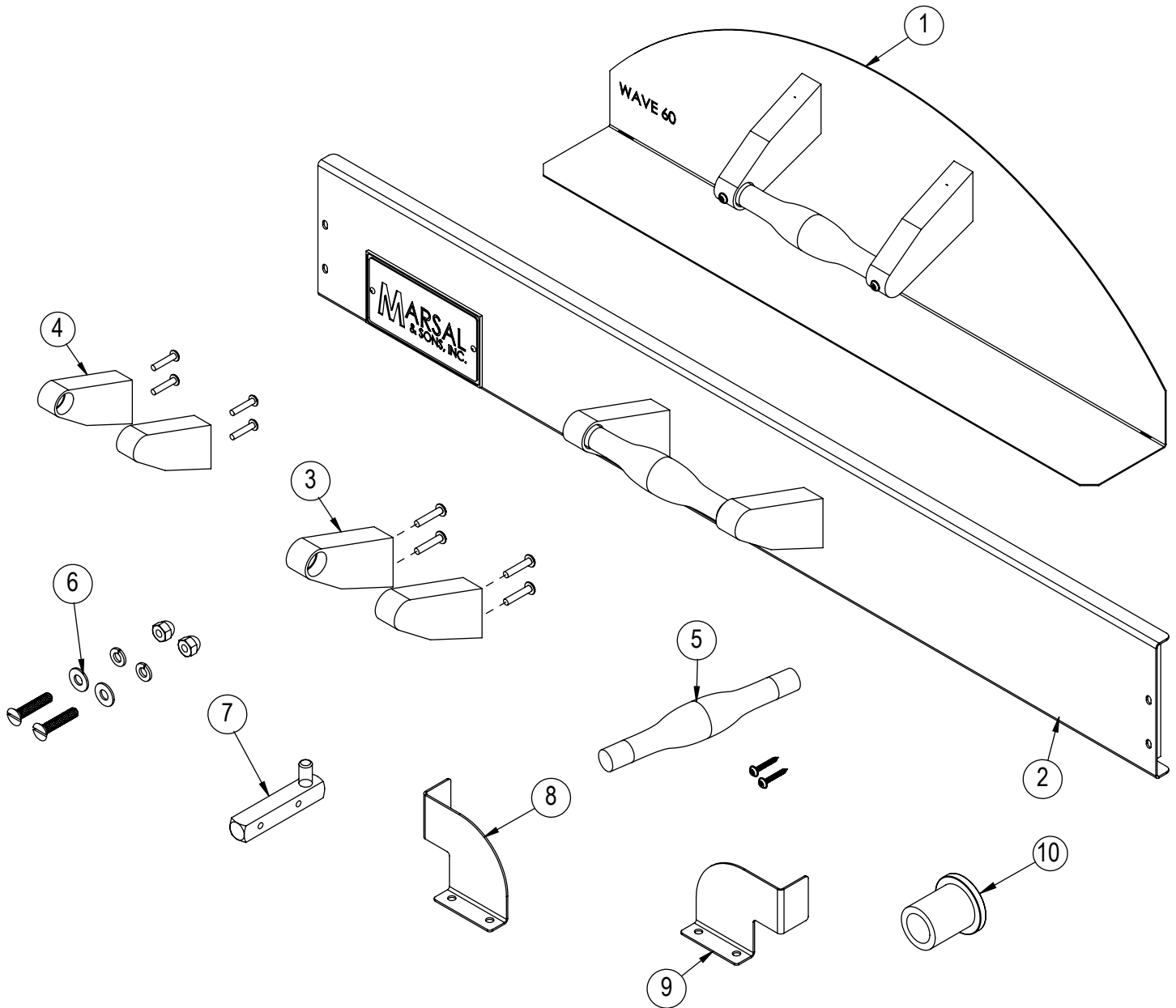


REF. NO.	PART NO.	DESCRIPTION
1	71820	WF42 NIGHT DOOR ASSY
2	71980	BURNER DOOR SVC KIT, MB42
3	71911	DOOR HANDLE BRACKET KIT
4	71985	BURNER DOOR HANDLE BRACKET KIT
5	71884	DOOR HANDLE KIT

REF. NO.	PART NO.	DESCRIPTION
6	71885	DOOR HINGE HARDWARE KIT
7	70143	DOOR HINGE ASSY
8	70671	BURNER DOOR STOP, RH
9	70107	BURNER DOOR STOP, LH
10	70154	BUSHING, DOOR PIN

DOOR PARTS

WF 60 OVEN

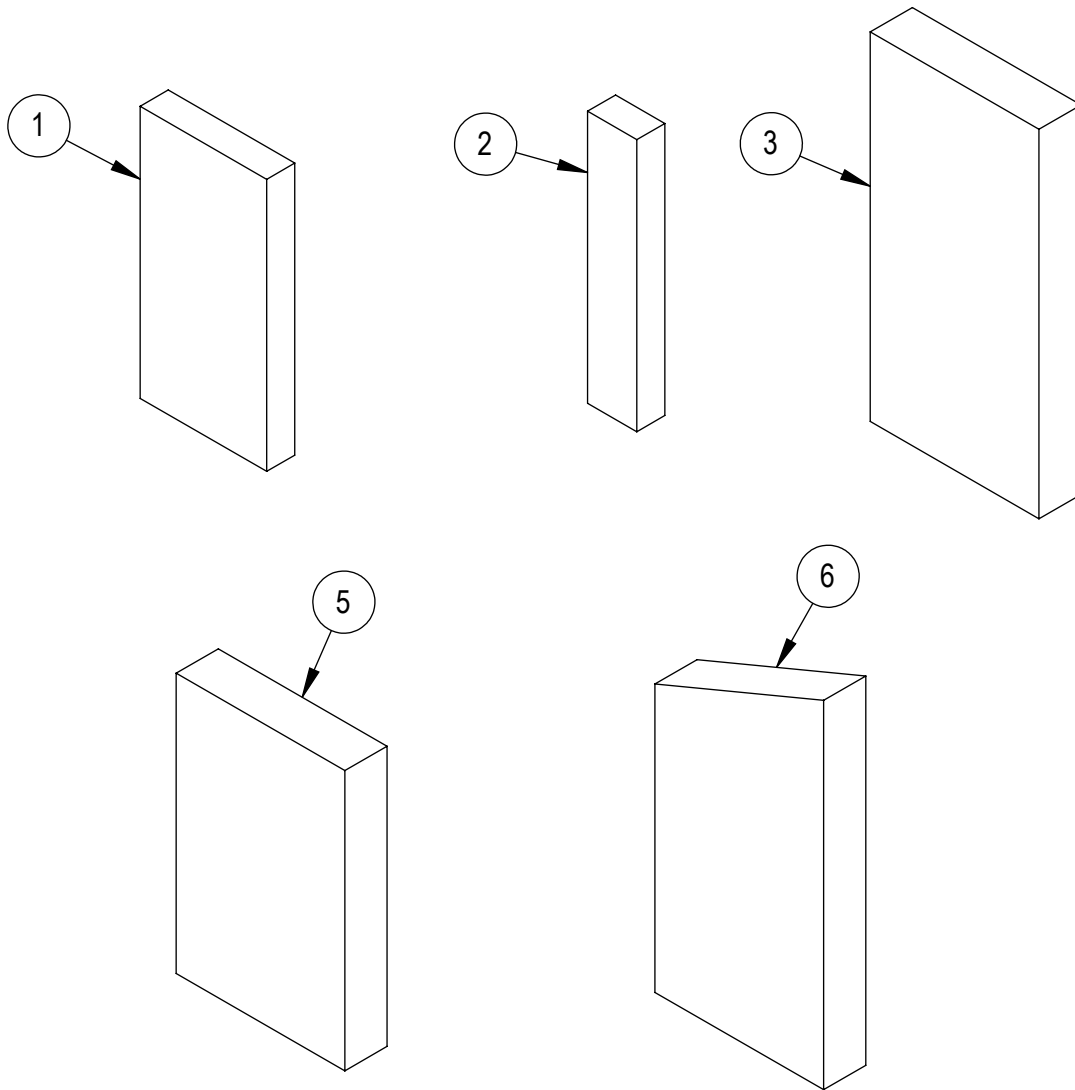


REF. NO.	PART NO.	DESCRIPTION
1	71765	WF60 NIGHT DOOR ASSY
2	71976	BURNER DOOR SVC KIT, MB60
3	71911	DOOR HANDLE BRACKET KIT
4	71985	BURNER DOOR HANDLE BRACKET KIT
5	71884	DOOR HANDLE KIT

REF. NO.	PART NO.	DESCRIPTION
6	71885	DOOR HINGE HARDWARE KIT
7	70143	DOOR HINGE ASSY
8	70671	BURNER DOOR STOP, RH
9	70107	BURNER DOOR STOP, LH
10	70154	BUSHING, DOOR PIN

BRICK COMPONENTS

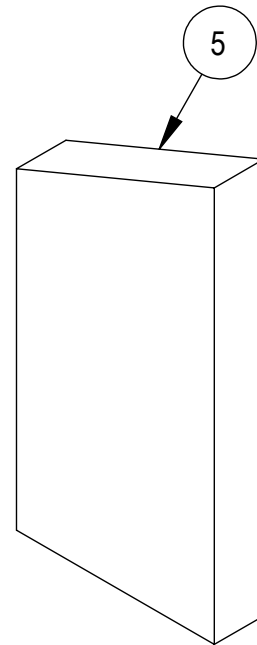
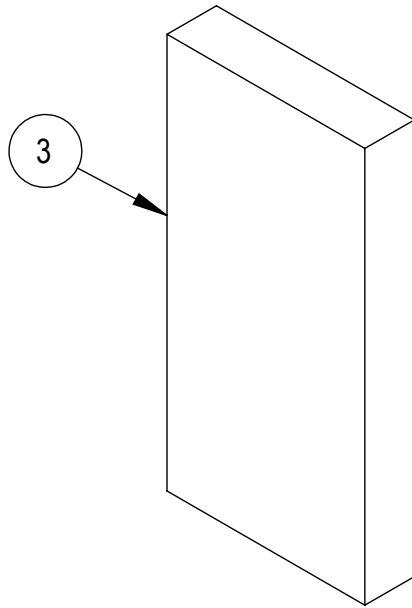
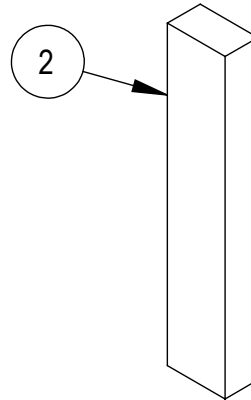
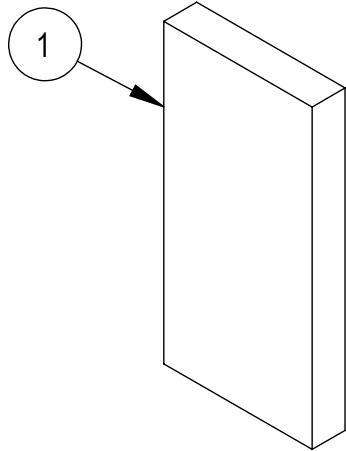
WF 42 OVEN



REF. NO.	PART NO.	DESCRIPTION
1	70391	SIDE BRICK, 4-1/2 X 9 X 1
2	70371	SIDE BRICK, 1-3/4 X 9 X 1
3	70073	CEILING/BACK BRICK, 6 X 12 X 1-1/2
5	70857	CEILING BRICK, 6 X 9-1/4 X 1-1/2
6	70229	BACK BRICK, ANGLED

BRICK COMPONENTS

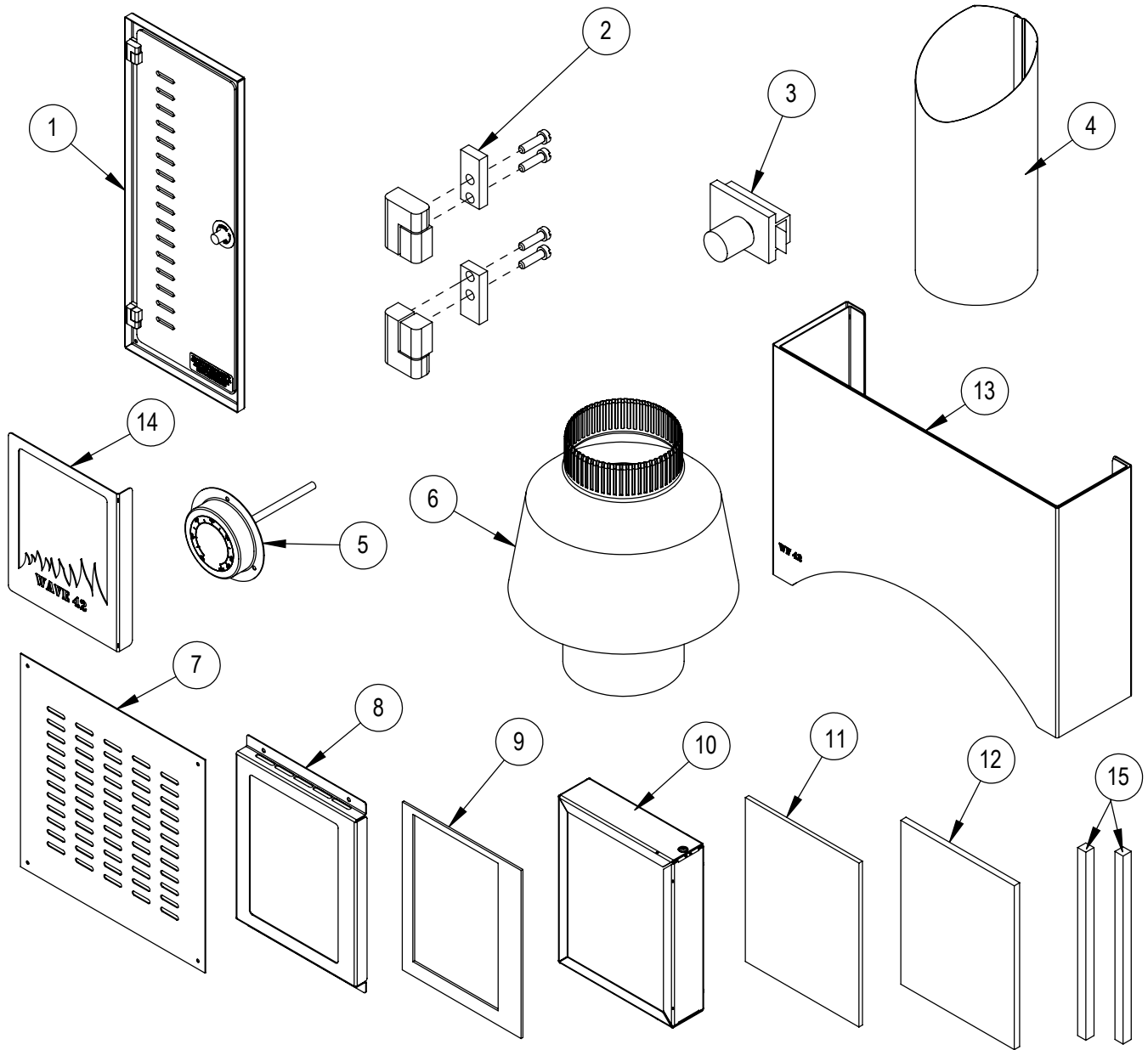
WF 60 OVEN



REF. NO.	PART NO.	DESCRIPTION
1	70391	SIDE BRICK, 4-1/2 X 9 X 1
2	70371	SIDE BRICK, 1-3/4 X 9 X 1
3	70073	CEILING/BACK BRICK, 6 X 12 X 1-1/2
5	70229	BACK BRICK, ANGLED

MISC. EXTERIOR COMPONENTS

WF 42 OVEN

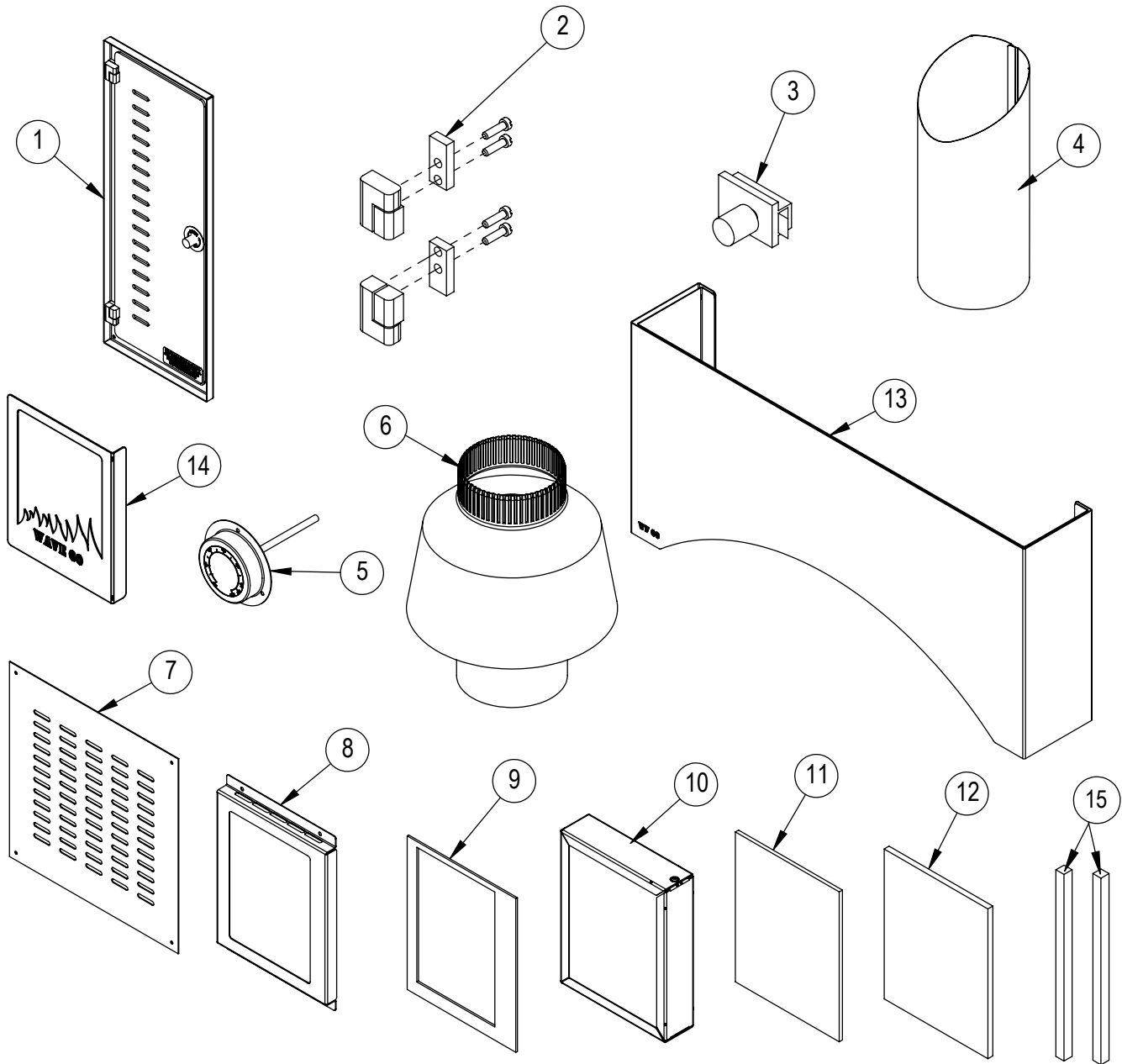


REF. NO.	PART NO.	DESCRIPTION
1	71778	CONTROL DOOR ASSY
2	71905	CONTROL DOOR HINGE KIT
3	70128	LATCH, CONTROL DOOR
4	70103	CHIMNEY TOP
5	71735	THERMOMETER, 200-1000°F
6	70427	DRAFT HOOD
7	71564	LOUVER PANEL
8	71785	WINDOW TRIM

REF. NO.	PART NO.	DESCRIPTION
9	71716	WINDOW GASKET
10	71715	WINDOW ASSY
11	71717	GLASS, 8 X 10 X 1/4
12	70452	GLASS, 8 X 10 X 3/8
13	71827	FRONT FLUE ASSY
14	71841	FLAME CUTOUT, WF42
15	71786	RUBBER GASKET STRIP, (20" required)

MISC. EXTERIOR COMPONENTS

WF 60 OVEN

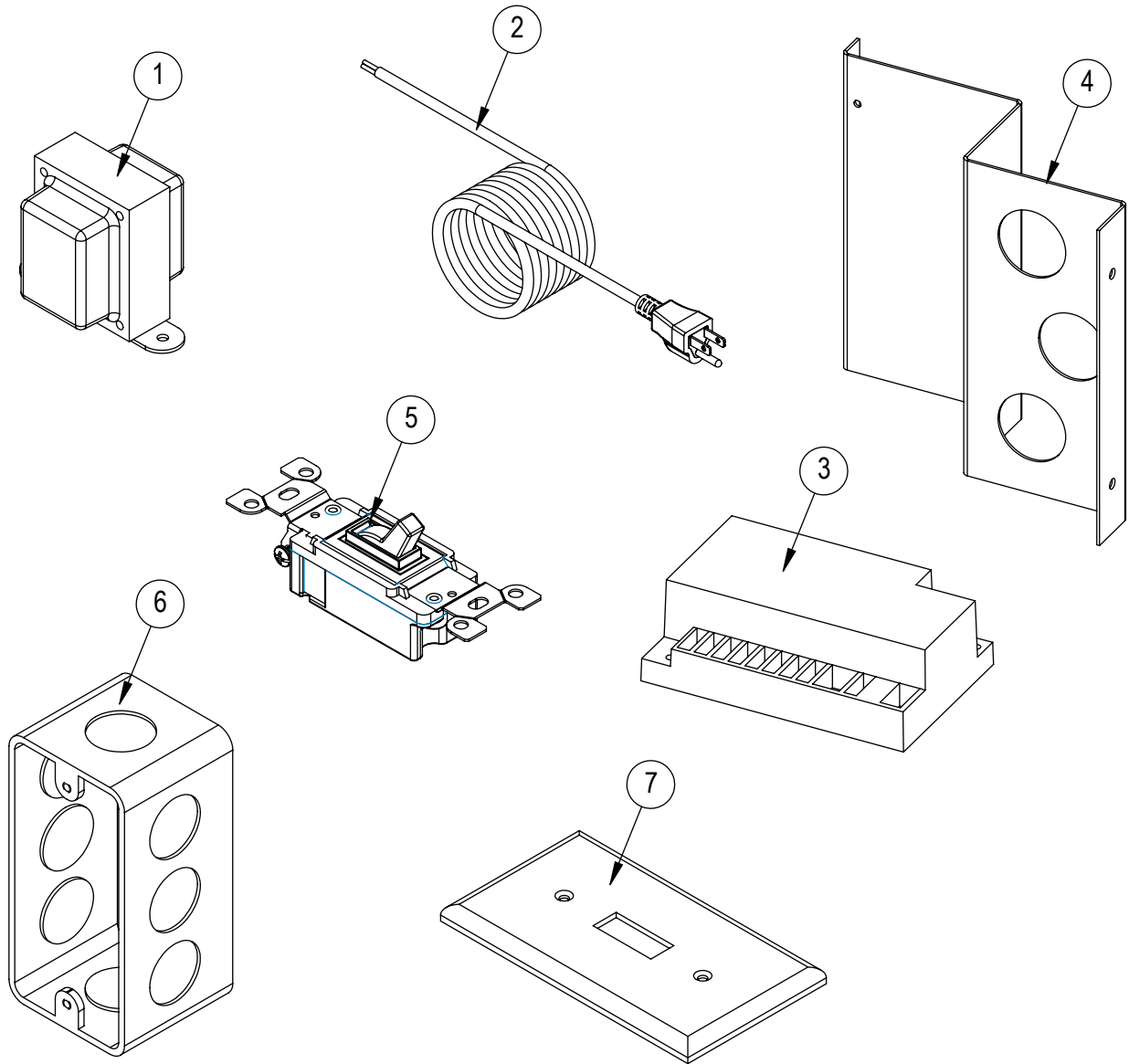


REF. NO.	PART NO.	DESCRIPTION
1	71778	CONTROL DOOR ASSY
2	71905	CONTROL DOOR HINGE KIT
3	70128	LATCH, CONTROL DOOR
4	70103	CHIMNEY TOP
5	71735	THERMOMETER, 200-1000°F
6	70427	DRAFT HOOD
7	71564	LOUVER PANEL
8	71784	WINDOW TRIM

REF. NO.	PART NO.	DESCRIPTION
9	71716	WINDOW GASKET
10	71715	WINDOW ASSY
11	71717	GLASS, 8 X 10 X 1/4
12	70452	GLASS, 8 X 10 X 3/8
13	71775	FRONT FLUE ASSY
14	71783	FLAME CUTOUT, WF60
15	71786	RUBBER GASKET STRIP, 10" (QTY 2)

ELECTRICAL COMPONENTS

WF 42 & WF 60 OVENS

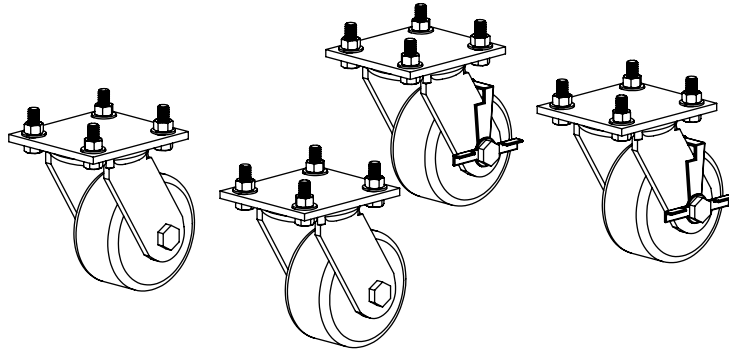


REF. NO.	PART NO.	DESCRIPTION
1	70450	TRANSFORMER, 120V TO 24V
2	71762	POWER CORD
3	70448	IGNITION CTRL, INTERMITTENT PILOT
4	71763	BRACKET, IGNITION MODULE

REF. NO.	PART NO.	DESCRIPTION
5	70070	LIGHT SWITCH
6	70069	ELECTRICAL BOX, 2 X 4 X 1-7/8
7	70072	COVER PLATE, SWITCH

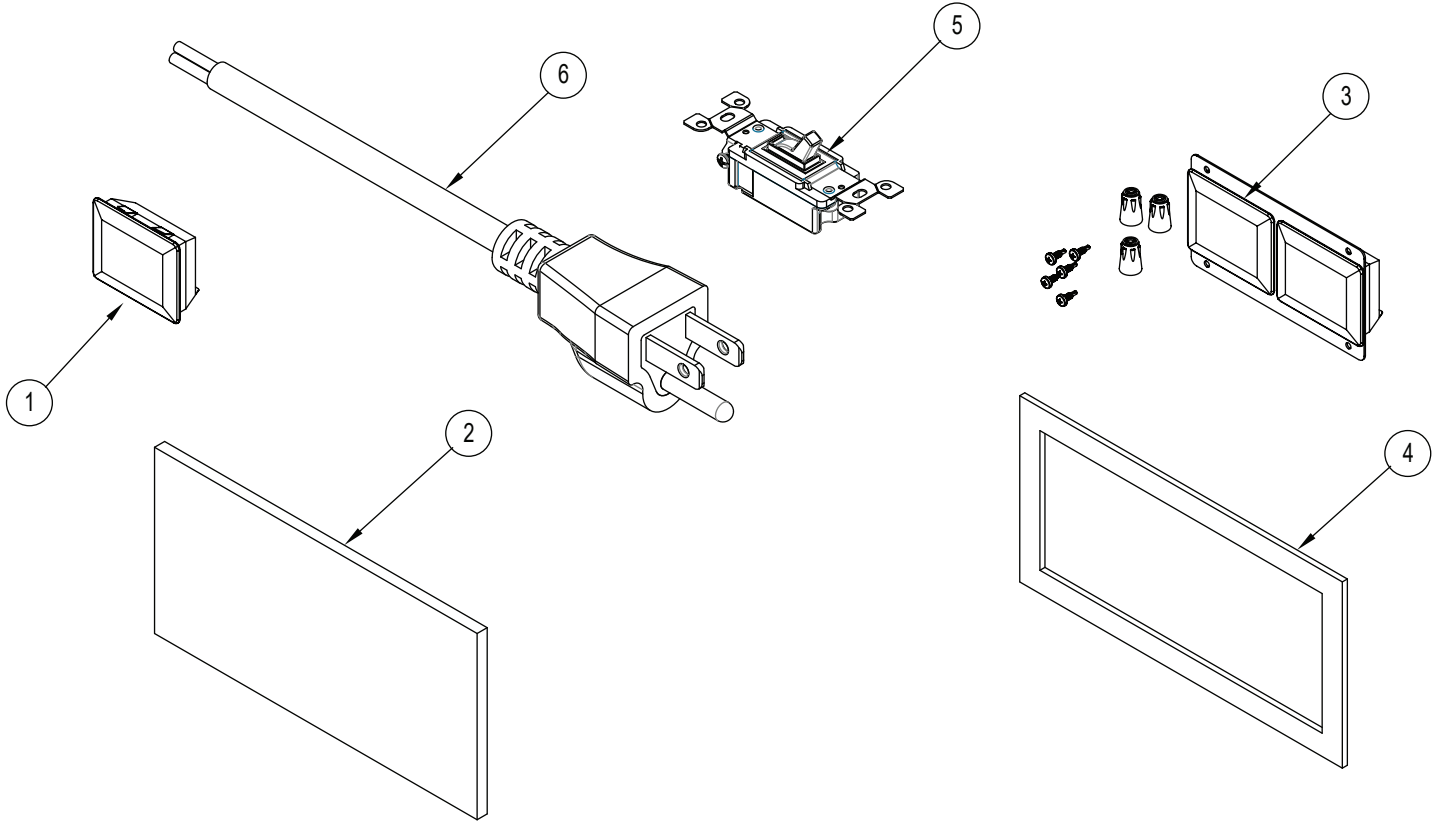
ACCESSORIES

ALL OVENS



REF. NO.	PART NO.	DESCRIPTION
1	72546	CASTERS, SET OF 4

LIGHT ASSEMBLY AND ELECTRICAL



REF. NO.	PART NO.	DESCRIPTION
1	55607	Light Assy
2	70019	Glass, 4" x 8" x 1/4"
3	72667	Retrofit Kit, Light Assy
4	70937	Gasket, Light Assy

REF. NO.	PART NO.	DESCRIPTION
5	70070	Light Switch
6	70063	Power Cord