



SD SERIES

SD 448, SD 1048, SD 660, SD 1060, SD 866 AND SD 10866 4, 6 AND 8 PIE PIZZA OVENS REPLACEMENT PARTS LIST

EFFECTIVE MARCH 8, 2023

Superseding All Previous Parts Lists.

The Company reserves the right to make substitution in the event that items specified are not available.

ERRORS: Descriptive and/or typographic errors are subject to correction.

MARSAL

42 Allen Martin Drive, Essex Junction, VT 05452 USA Telephone: (802) 658-6600 Fax: (802) 864-0183
www.marsalovens.com

P/N 72142 Rev Q

TABLE OF CONTENTS

BURNER COMPARTMENT COMPONENTS

SD 448 OVEN	3
SD 1048 OVEN	4
SD 660 OVEN	5
SD 1060 OVEN	6
SD 866 OVEN	7
SD 10866 OVEN	8

BAKING COMPARTMENT COMPONENTS

SD 448 & SD 1048 OVENS	9
SD 660 & SD 1060 OVENS	10
SD 866 & SD 10866 OVEN	11

BURNER AND PIPING PARTS

SD 448 & SD 1048 OVEN	12
SD 660 & SD 1060 OVEN	13
SD 866 & SD 10866 OVEN	14
PILOT UPGRADE SAFETY VALVE KIT FOR OVENS BUILT BEFORE 10/8/2008 ...	15
GAS CONVERSION KITS	15

DOOR PARTS

SD 448 OVEN	16
SD 1048 OVEN	17
SD 660 OVEN	18
SD 1060 OVEN	19
SD 866 OVEN	20
SD 10866 OVEN	21

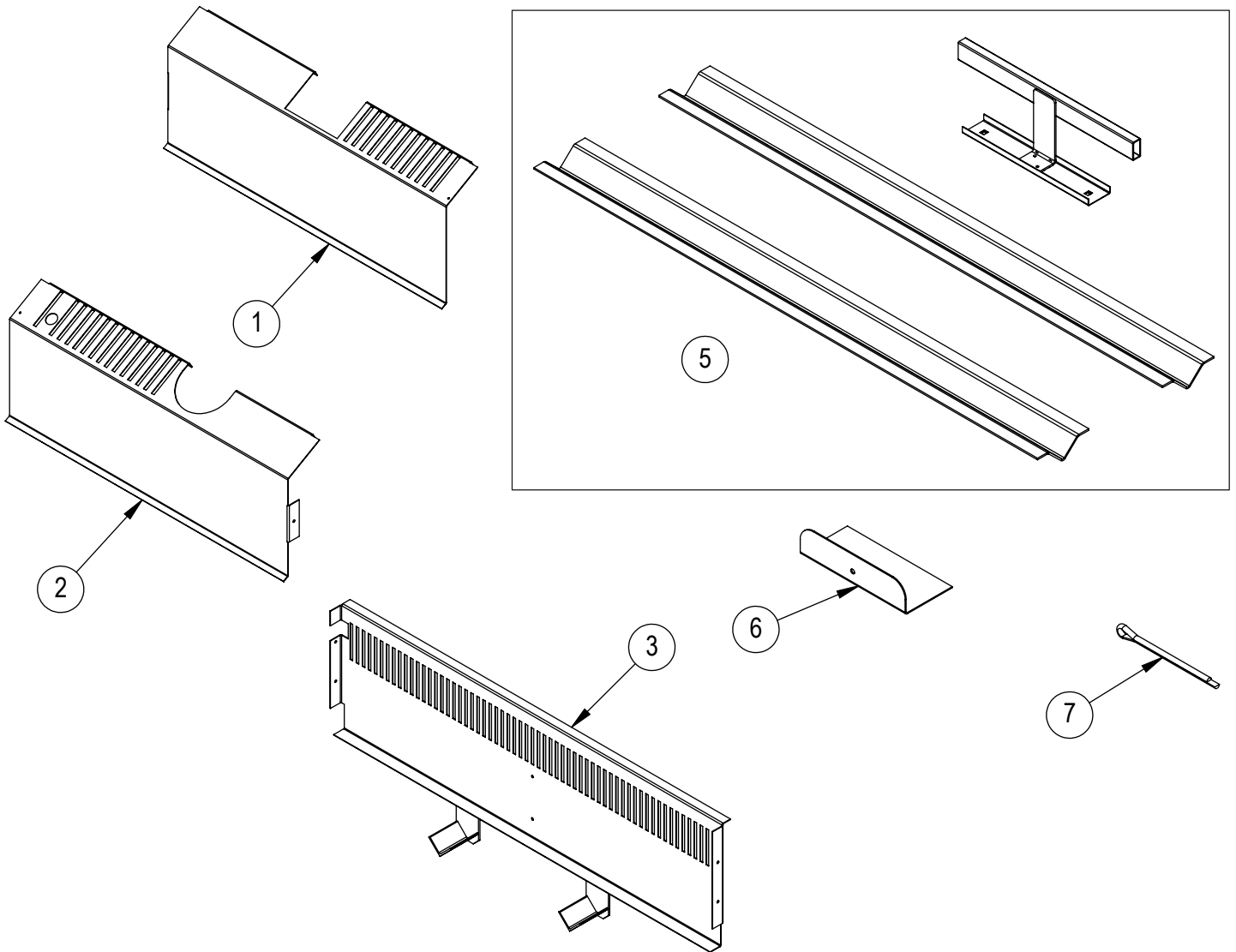
SD CONTROL DOOR AND FLUES	22
--	----

CE OVEN COMPONENTS	23
---------------------------------	----

ACCESSORIES	24
--------------------------	----

BURNER COMPARTMENT COMPONENTS

SD 448 OVEN

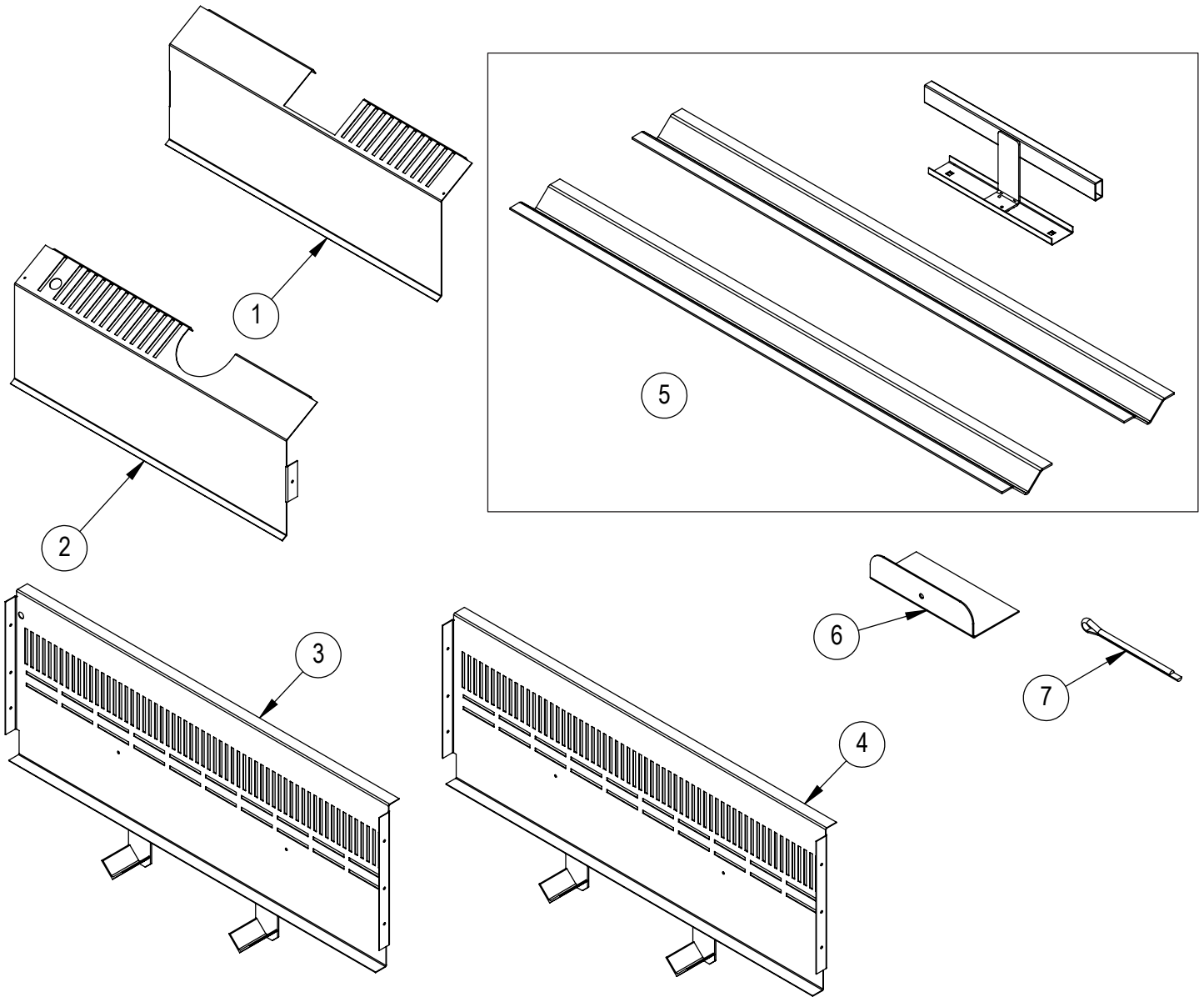


REF. NO.	PART NO.	DESCRIPTION
1	71116	HEAT SHIELD, LH
2	71117	HEAT SHIELD, RH
3	71025	SD BAFFLE ASSY, LH or RH
5	71899	DEFLECTOR KIT, SD448, SD1048

REF. NO.	PART NO.	DESCRIPTION
6	70057	FD HOLD DOWN
7	70084	COTTER PIN, 7/64 X 1.75

BURNER COMPARTMENT COMPONENTS

SD 1048 OVEN

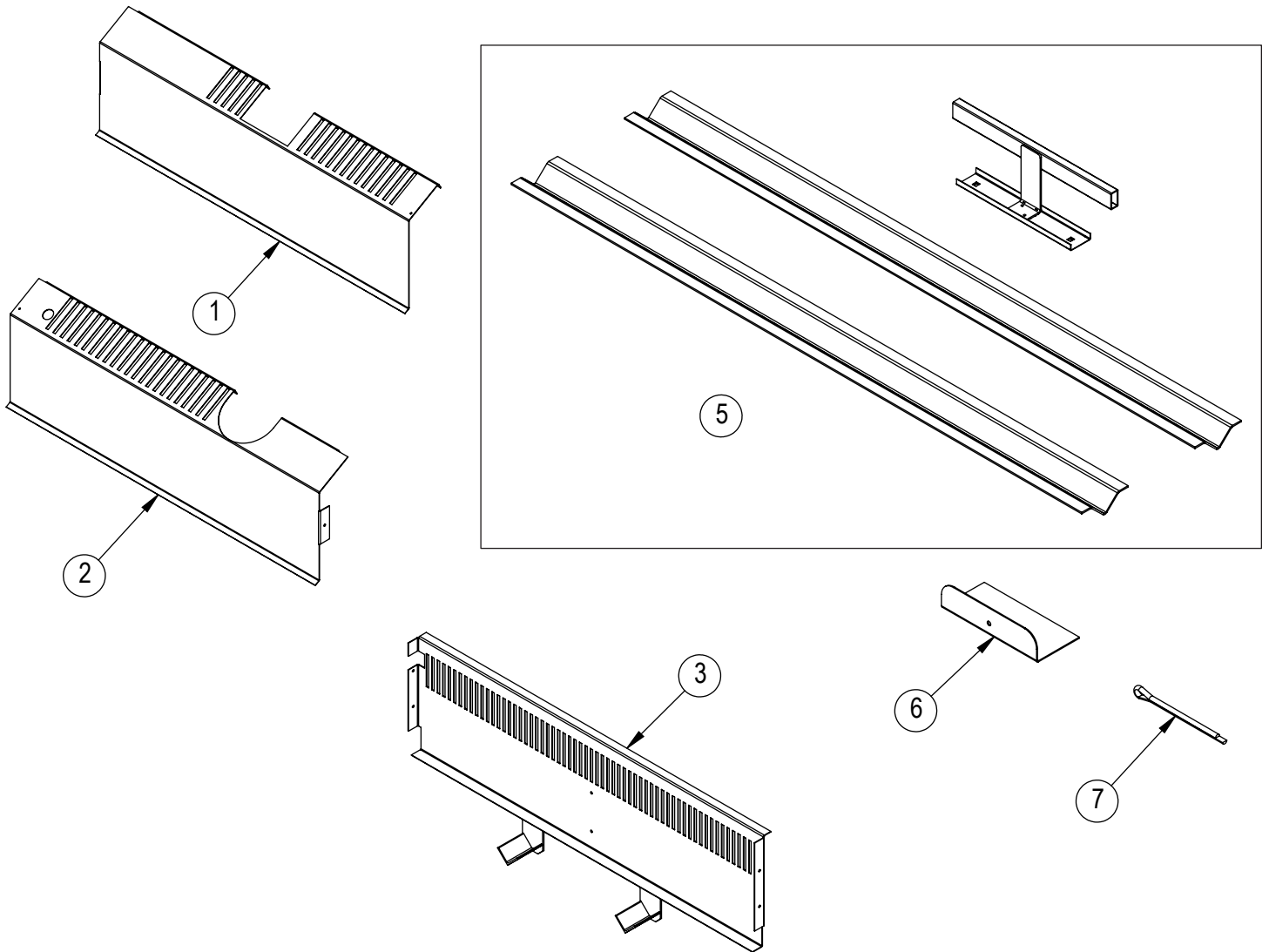


REF. NO.	PART NO.	DESCRIPTION
1	71116	HEAT SHIELD, LH
2	71117	HEAT SHIELD, RH
3	71162	SD BAFFLE ASSY, LH
4	71163	SD BAFFLE ASSY, RH

REF. NO.	PART NO.	DESCRIPTION
5	71899	DEFLECTOR KIT, SD448, SD1048
6	70057	FD HOLD DOWN
7	70084	COTTER PIN, 7/64 X 1.75

BURNER COMPARTMENT COMPONENTS

SD 660 OVEN

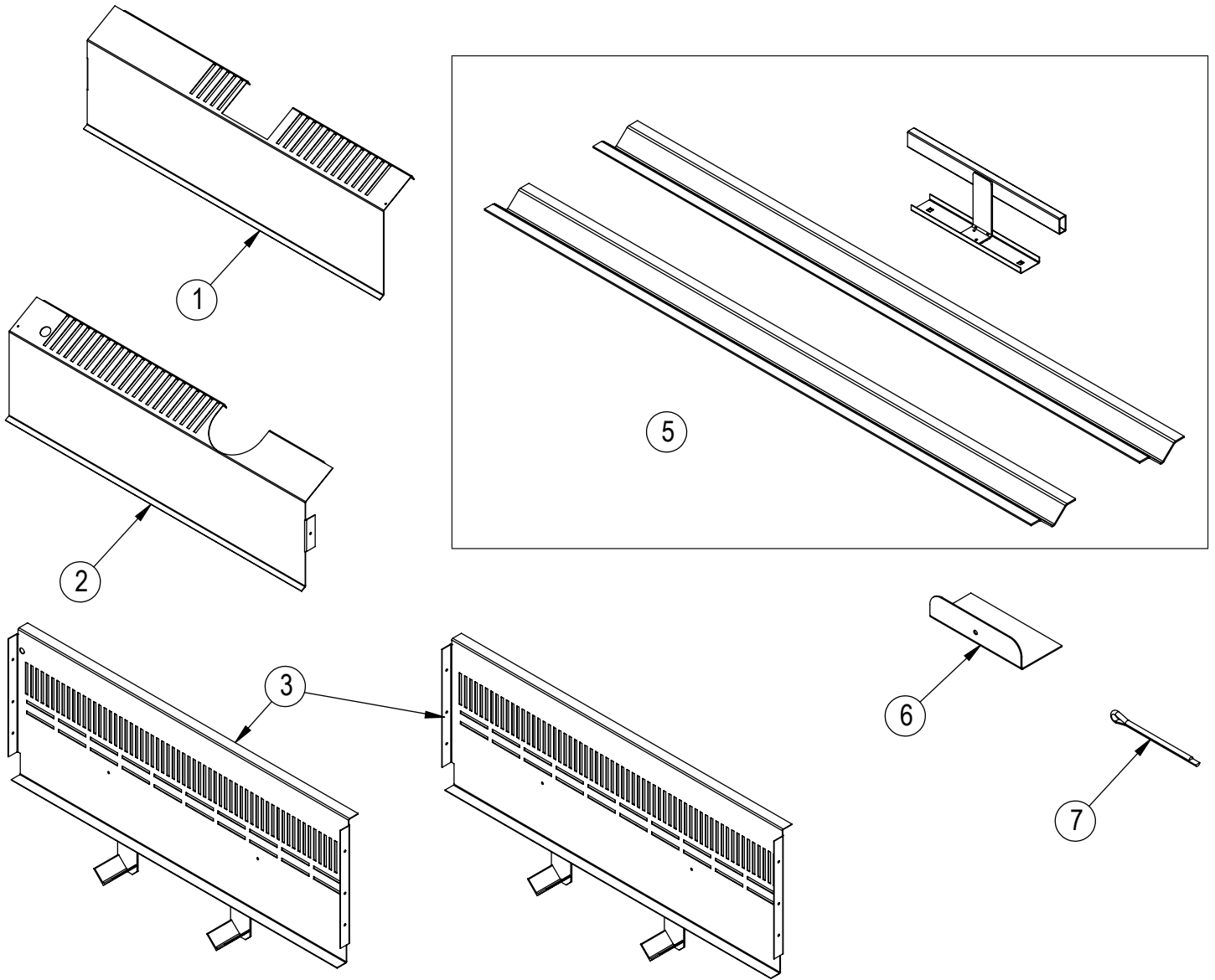


REF. NO.	PART NO.	DESCRIPTION
1	71023	HEAT SHIELD, LH
2	71024	HEAT SHIELD, RH
3	71025	SD BAFFLE ASSY, LH or RH

REF. NO.	PART NO.	DESCRIPTION
5	71896	DEFLECTOR KIT, MB60, SD660, SD1060
6	70057	FD HOLD DOWN
7	70084	COTTER PIN, 7/64 X 1.75

BURNER COMPARTMENT COMPONENTS

SD 1060 OVEN

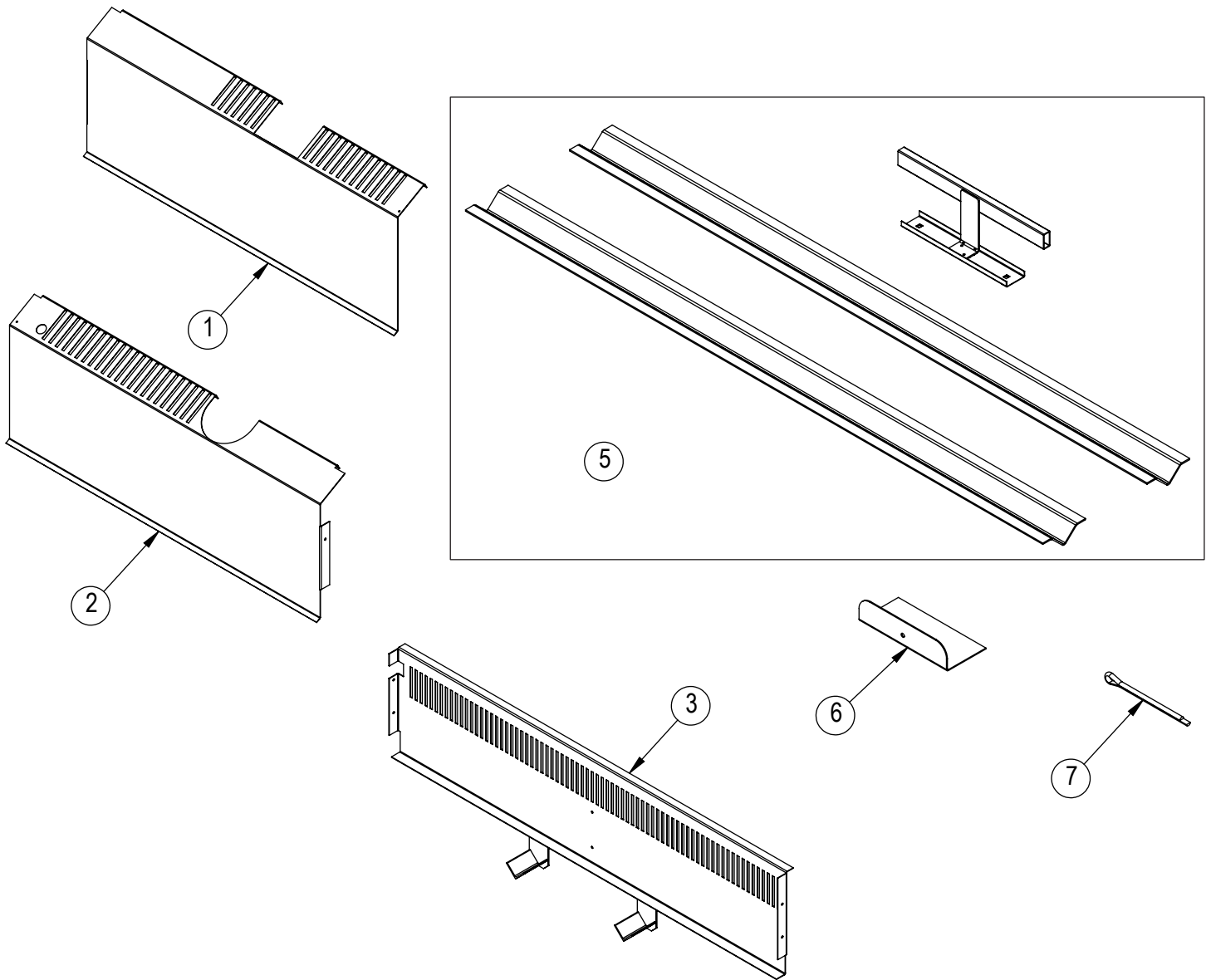


REF. NO.	PART NO.	DESCRIPTION
1	71023	HEAT SHIELD, LH
2	71024	HEAT SHIELD, RH
3	71162	SD BAFFLE ASSY, LH OR RH
5	71896	DEFLECTOR KIT, MB60, SD660, SD1060

REF. NO.	PART NO.	DESCRIPTION
6	70057	FD HOLD DOWN
7	70084	COTTER PIN, 7/64 X 1.75

BURNER COMPARTMENT COMPONENTS

SD 866 OVEN

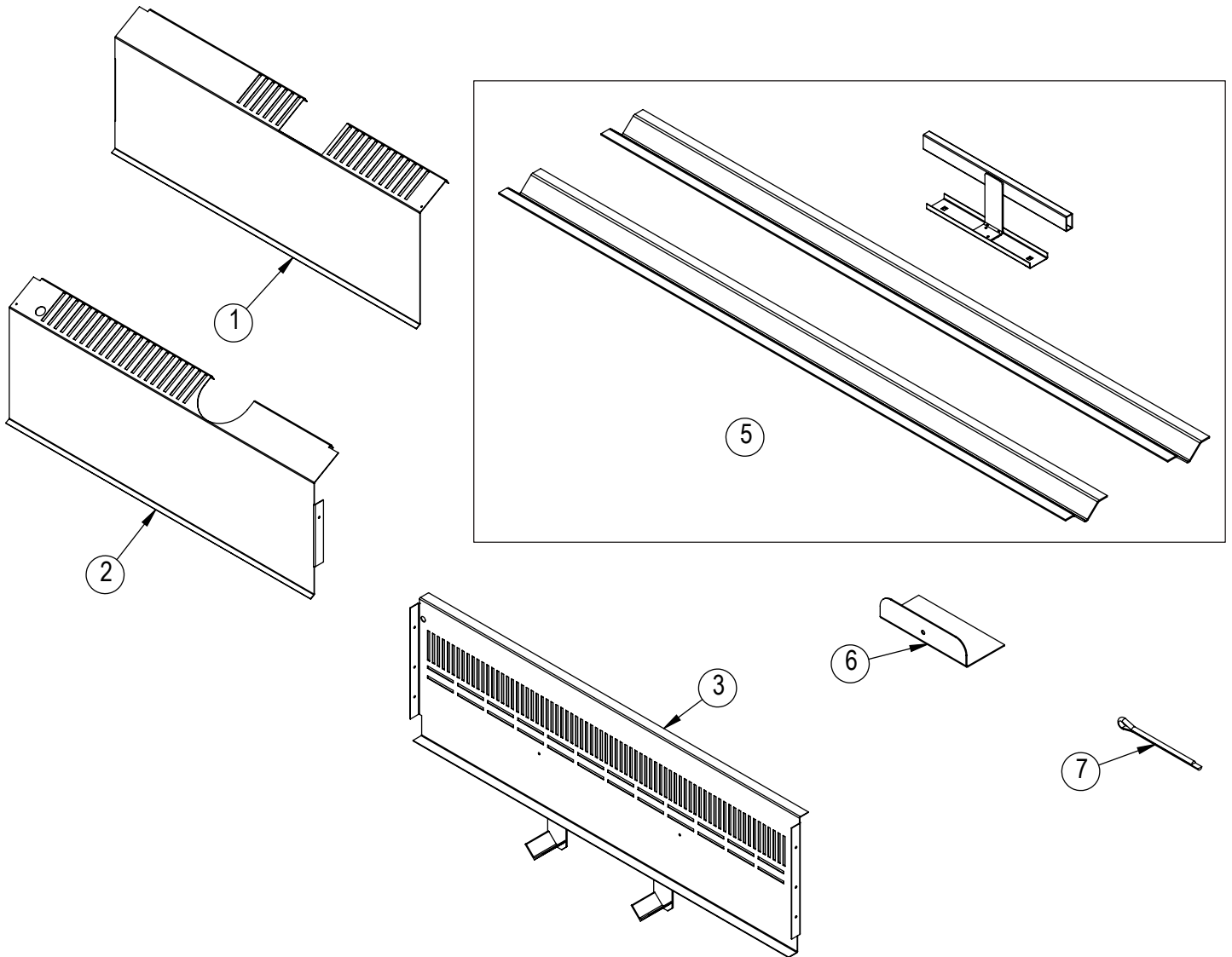


REF. NO.	PART NO.	DESCRIPTION
1	71232	HEAT SHIELD, LH
2	71233	HEAT SHIELD, RH
3	71234	BAFFLE ASSY, LH or RH

REF. NO.	PART NO.	DESCRIPTION
5	71900	DEFLECTOR KIT, MB866, SD866, SD10866
6	70057	FD HOLD DOWN
7	70084	COTTER PIN, 7/64 X 1.75

BURNER COMPARTMENT COMPONENTS

SD 10866 OVEN

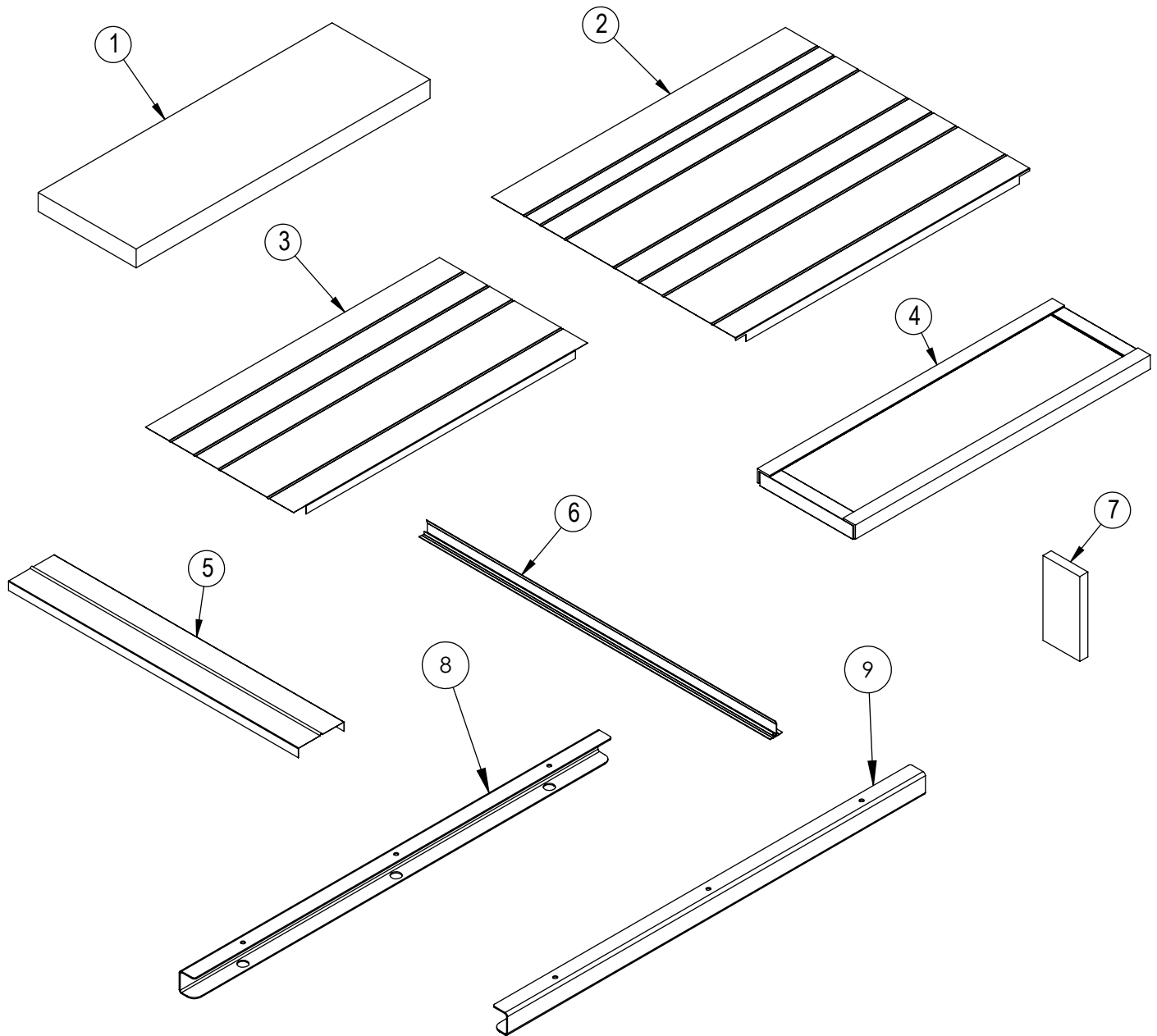


REF. NO.	PART NO.	DESCRIPTION
1	71232	HEAT SHIELD, LH
2	71233	HEAT SHIELD, RH
3	71286	BAFFLE ASSY, LH or RH

REF. NO.	PART NO.	DESCRIPTION
5	71900	DEFLECTOR KIT, MB866, SD866, SD10866
6	70057	FD HOLD DOWN
7	70084	COTTER PIN, 7/64 X 1.75

BAKING COMPARTMENT COMPONENTS

SD 448 & SD 1048 OVENS

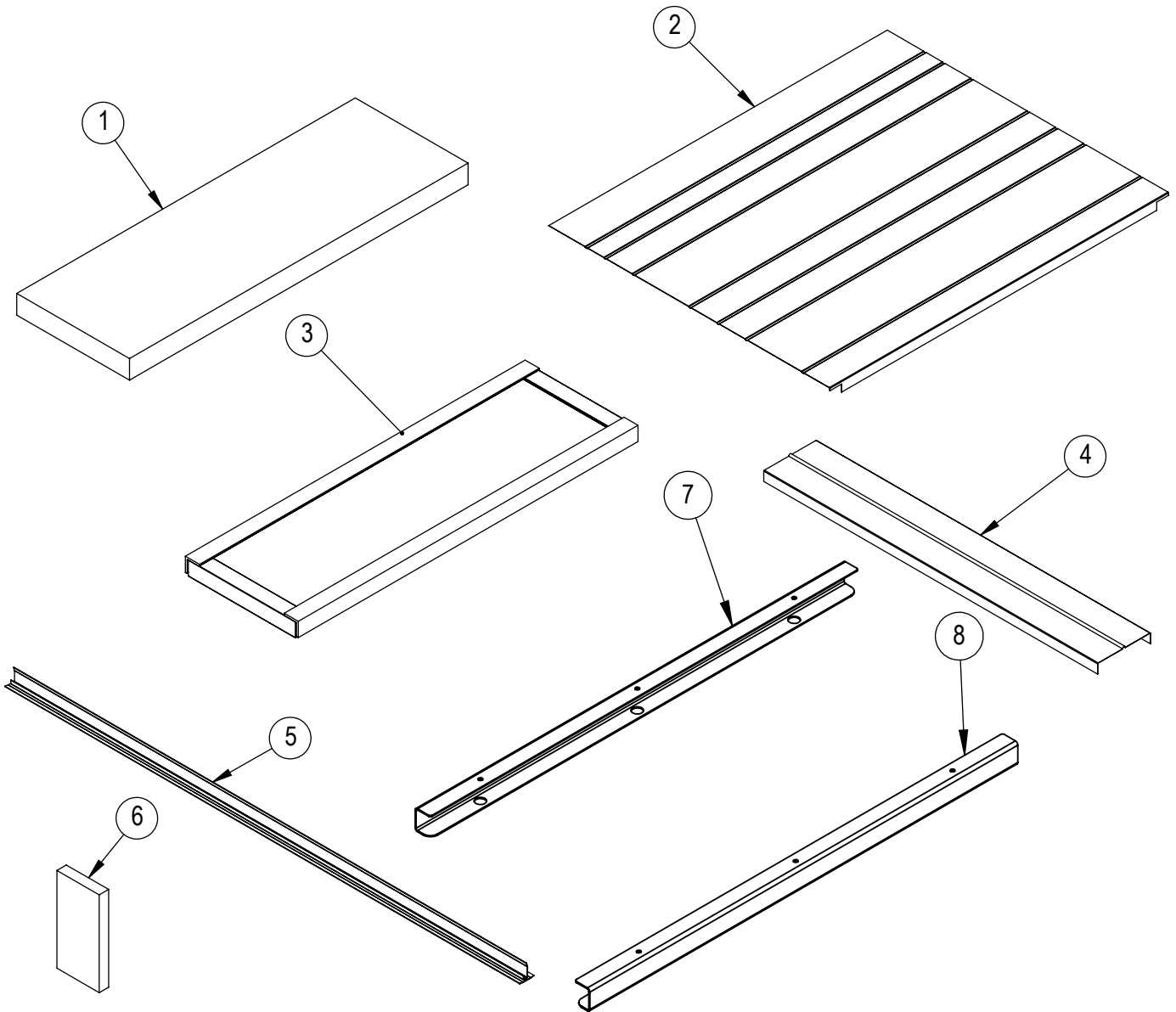


REF. NO.	PART NO.	DESCRIPTION
1	70248	DECK STONE, 12 X 36 X 2
2	70456	BRICK PLATE, LH
3	70457	BRICK PLATE, RH
4	70454	BRICK BASE, 36-1/8 X 12
5	70455	BRICK BAFFLE

REF. NO.	PART NO.	DESCRIPTION
6	70475	CRUMB CATCHER, 43" LG
7	70391	CEILING BRICK, 1 X 4-1/2 X 9
8	71029	BRICK BRACKET, TOP LEFT
9	71030	BRICK BRACKET, TOP RIGHT

BAKING COMPARTMENT COMPONENTS

SD 660 & SD 1060 OVENS

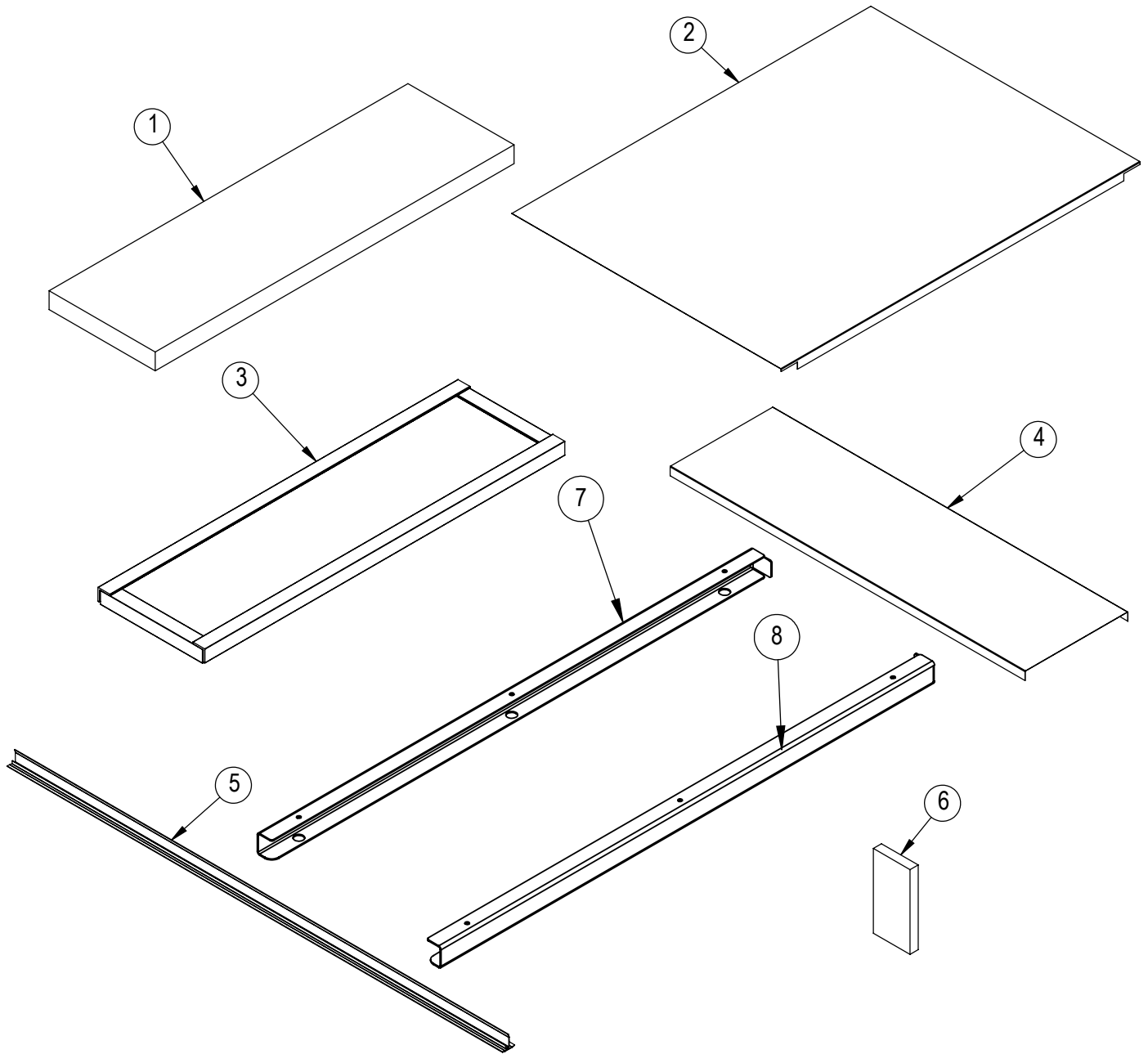


REF. NO.	PART NO.	DESCRIPTION
1	70248	DECK STONE, 12 X 36 X 2
2	70456	BRICK PLATE
3	70454	BRICK BASE, 36-1/8 X 12
4	70455	BRICK BAFFLE
	70880	KIT, DECK STONES (SET OF 5)

REF. NO.	PART NO.	DESCRIPTION
5	70478	CRUMB CATCHER, 54.75" LG
6	70391	CEILING BRICK, 1 X 4-1/2 X 9
7	71029	BRICK BRACKET, TOP LEFT
8	71030	BRICK BRACKET, TOP RIGHT

BAKING COMPARTMENT COMPONENTS

SD 866 & SD 10866 OVEN

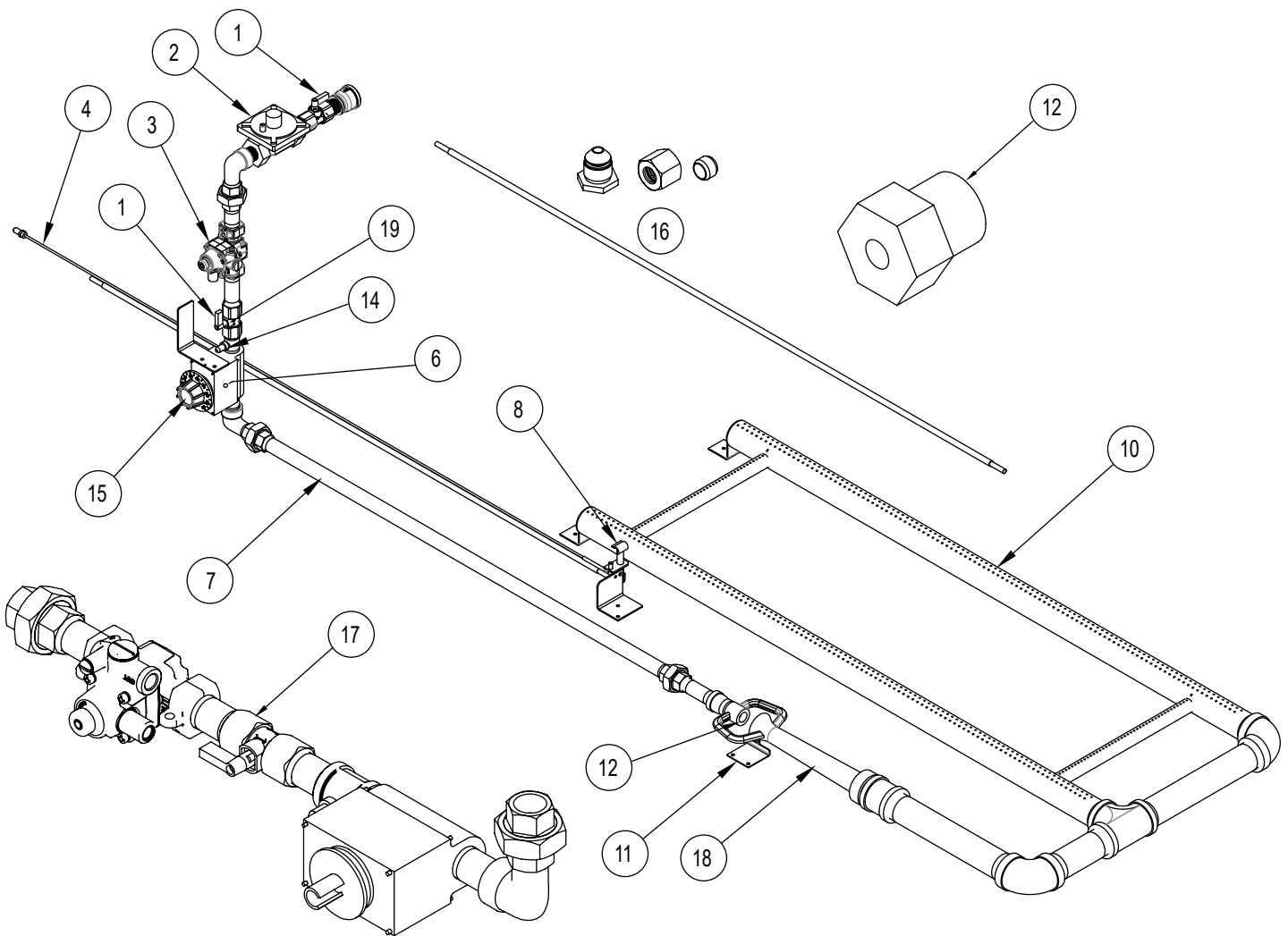


REF. NO.	PART NO.	DESCRIPTION
1	70389	DECK STONE 13 X 44 X 2
2	70460	BRICK PLATE
3	70461	BRICK BASE, 44-1/8 X 13-1/8
4	70459	BRICK BAFFLE

REF. NO.	PART NO.	DESCRIPTION
5	70479	CRUMB CATCHER, 60.75" LG
6	70391	CEILING BRICK, 1 X 4-1/2 X 9
7	71238	BRICK BRACKET, TOP LEFT
8	71239	BRICK BRACKET, TOP RIGHT

BURNER AND PIPING PARTS

SD 448 & SD 1048 OVEN



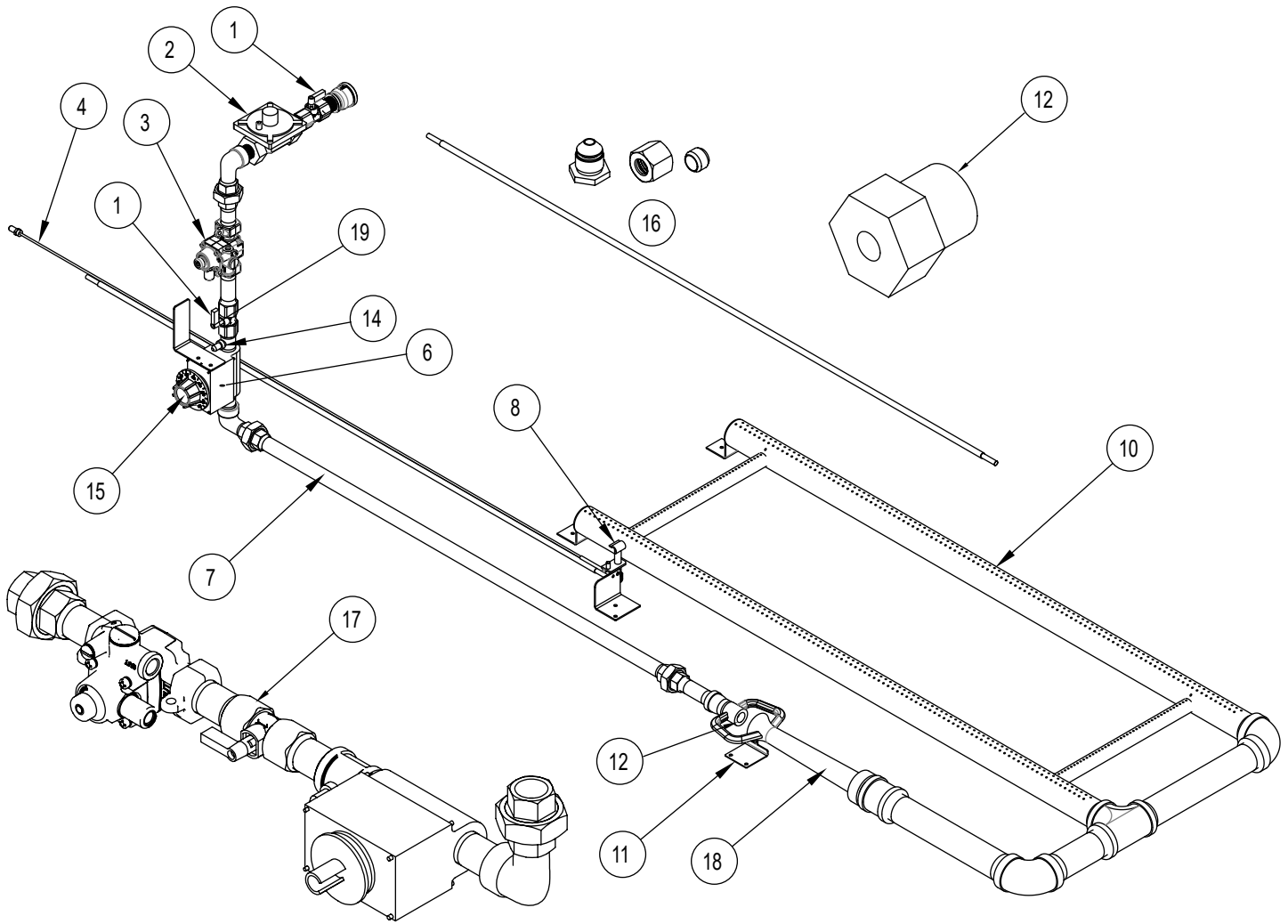
REF. NO.	PART NO.	DESCRIPTION
1	70380	Ball Valve, 1/2" NPT
2*	71881	Gas Regulator Kit, NAT
2*	71882	Gas Regulator Kit, LP
3*	55127	TS11 Safety Valve, 1/4" Tube Fit
4	100653	Thermocouple, 48" Lead
6*	71880	Thermostat, 300-650°F w/knob
7	70299	1/2 NPT x 24" Pipe
8	72708	Pilot Upgrade Kit, NAT or LP
10	70286	Burner Assy
11	70049	Venturi Stopper
12	70381	Orifice, #22 (NAT)
12	70492	Orifice, #37 (LP)
14	70434	Pressure Tap, 1/8

REF. NO.	PART NO.	DESCRIPTION
15*	10392	Knob, Thermostat
16	72290	Pilot Tube Kit, 42"
17	70040	Stack Assembly
18	70094	Venturi
	72596	Venturi Disk
	72597	Orifice Holder, Main Burner
	72598	Locknut, Hex 5/8"-18
19	70233	Nipple, 1/2 x 2

** SEE "CE APPROVED COMPONENTS" AT THE END OF THIS DOCUMENT*

BURNER AND PIPING PARTS

SD 660 & SD 1060 OVEN



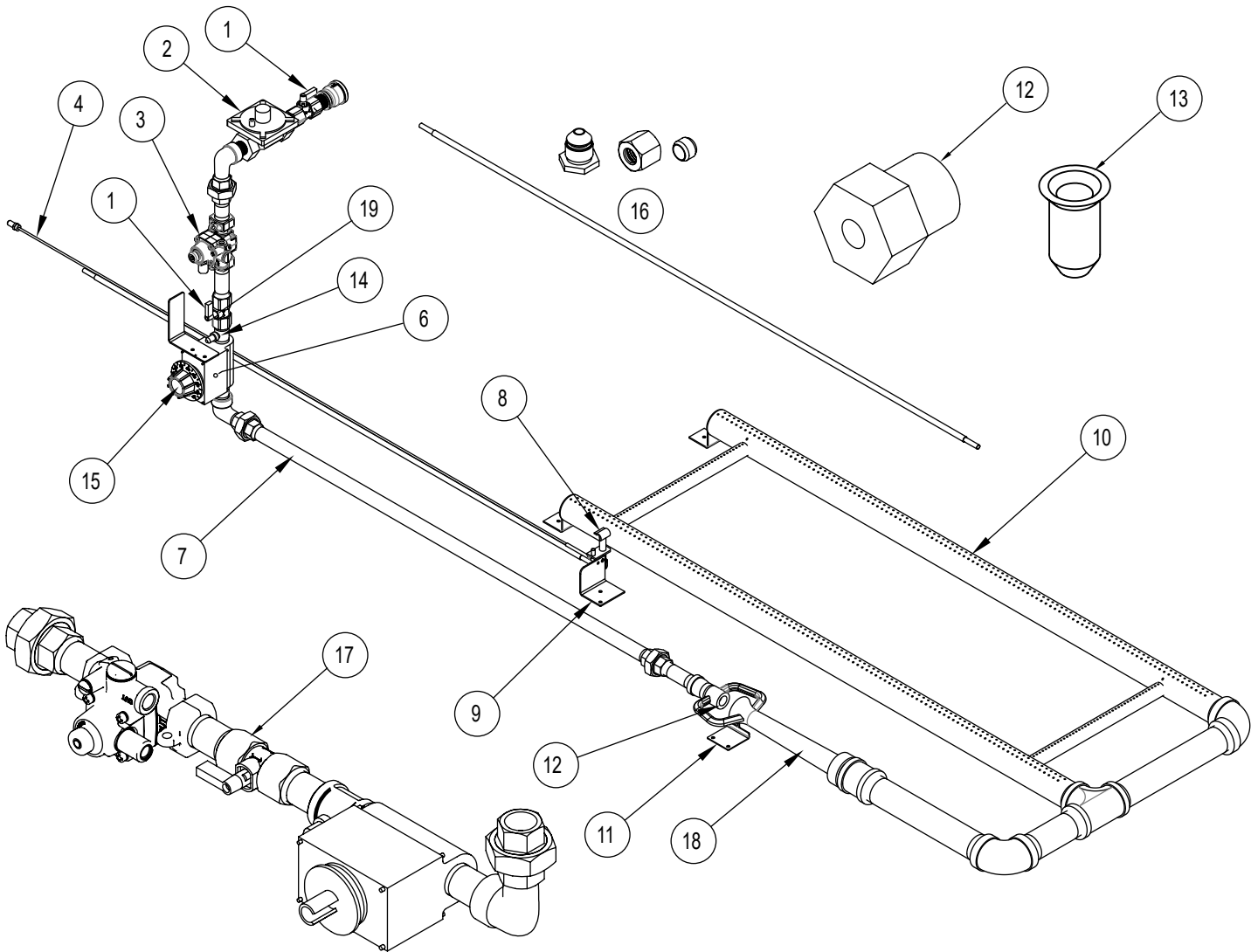
REF. NO.	PART NO.	DESCRIPTION
1	70380	Ball Valve, 1/2" NPT
2*	71881	Gas Regulator Kit, NAT
	71882	Gas Regulator Kit, LP
3*	55127	TS11 Safety Valve, 1/4" Tube Fit
4	100653	Thermocouple, 48" Lead
6*	71880	Thermostat, 300-650°F w/knob
7	70042	1/2 NPT x 33-1/4" Pipe
8	72708	Pilot Upgrade Kit, NAT or LP
10	70099	Burner Assy
11	70049	Venturi Stopper
12	70383	Orifice, 3/16" (NAT)
12	70491	Orifice, (LP)

REF. NO.	PART NO.	DESCRIPTION
14	70434	Pressure Tap, 1/8
15*	10392	Knob, Thermostat
16	72290	Pilot Tube Kit, 42"
17	70040	Stack Assembly
18	70094	Venturi
	72596	Venturi Disk
	72597	Orifice Holder, Main Burner
	72598	Locknut, Hex 5/8"-18
19	70233	Nipple, 1/2 x 2

* SEE "CE APPROVED COMPONENTS" AT THE END OF THIS DOCUMENT

BURNER AND PIPING PARTS

SD 866 & SD 10866 OVEN



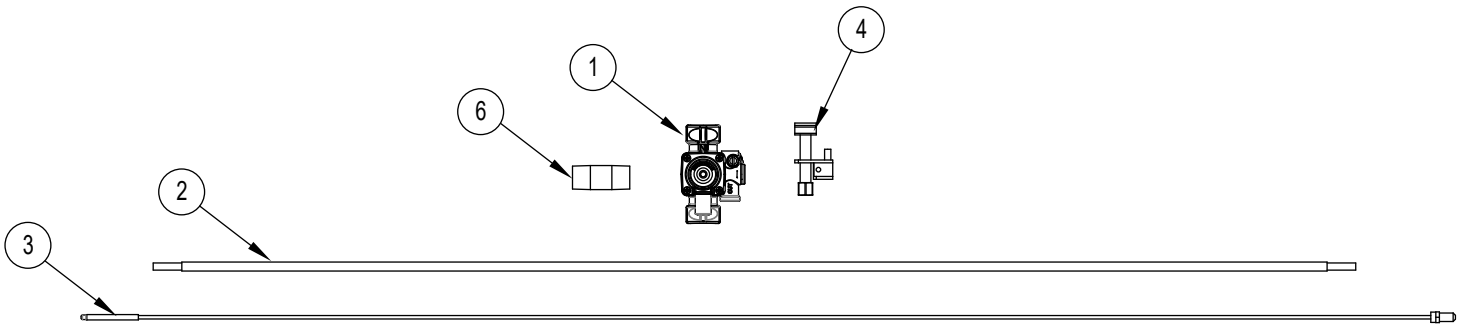
REF. NO.	PART NO.	DESCRIPTION
1	70380	BALL VALVE, 1/2" NPT
2*	71881	GAS REGULATOR KIT, NAT
2*	71882	GAS REGULATOR KIT, LP
3*	55127	TS11 SAFETY VALVE, 1/4" TUBE FIT
4	100653	THERMOCOUPLE, 48" LEAD
6*	71880	THERMOSTAT, 300-650 W/KNOB
7	70042	1/2" NPT X 33-1/4" PIPE
8	72708	PILOT UPGRADE KIT, NAT or LP
10	70537	BURNER ASSY
11	70049	VENTURI STOPPER
12	70383	ORIFICE, 3/16" (NAT)
12	70491	ORIFICE, #35 (LP)

REF. NO.	PART NO.	DESCRIPTION
14	70434	Pressure Tap, 1/8
15*	10392	Knob, Thermostat
16	72291	Pilot Tube Kit, 48"
17	70040	Stack Assembly
18	70094	Venturi
	72596	Venturi Disk
	72597	Orifice Holder, Main Burner
	72598	Locknut, Hex 5/8"-18
19	70233	Nipple, 1/2 x 2

* SEE "CE APPROVED COMPONENTS" AT THE END OF THIS DOCUMENT

BURNER AND PIPING PARTS

PILOT UPGRADE SAFETY VALVE KIT FOR OVENS BUILT BEFORE 10/8/2008

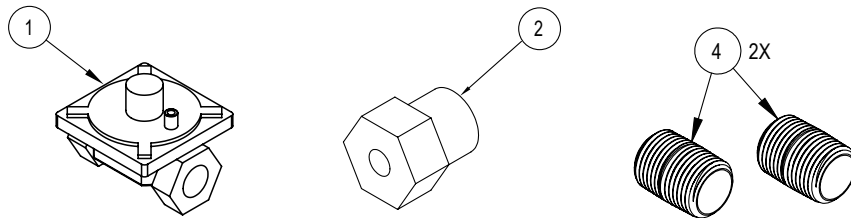


REF. NO.	PART NO.	DESCRIPTION
	70376	Pilot Upgrade Safety Valve Kit Includes the following Parts
1	55127	TS11 Safety Valve
2	70046	Pilot Tubing, 42"
3	100653	Thermocouple, 48" Lead

REF. NO.	PART NO.	DESCRIPTION
4	72708	Pilot Upgrade Kit, NAT or LP
6	70233	Nipple, 1/2" x 2" black

*REPLACE INCLUDED ORIFICE WITH 70482 FOR LP OVENS.

GAS CONVERSION KITS



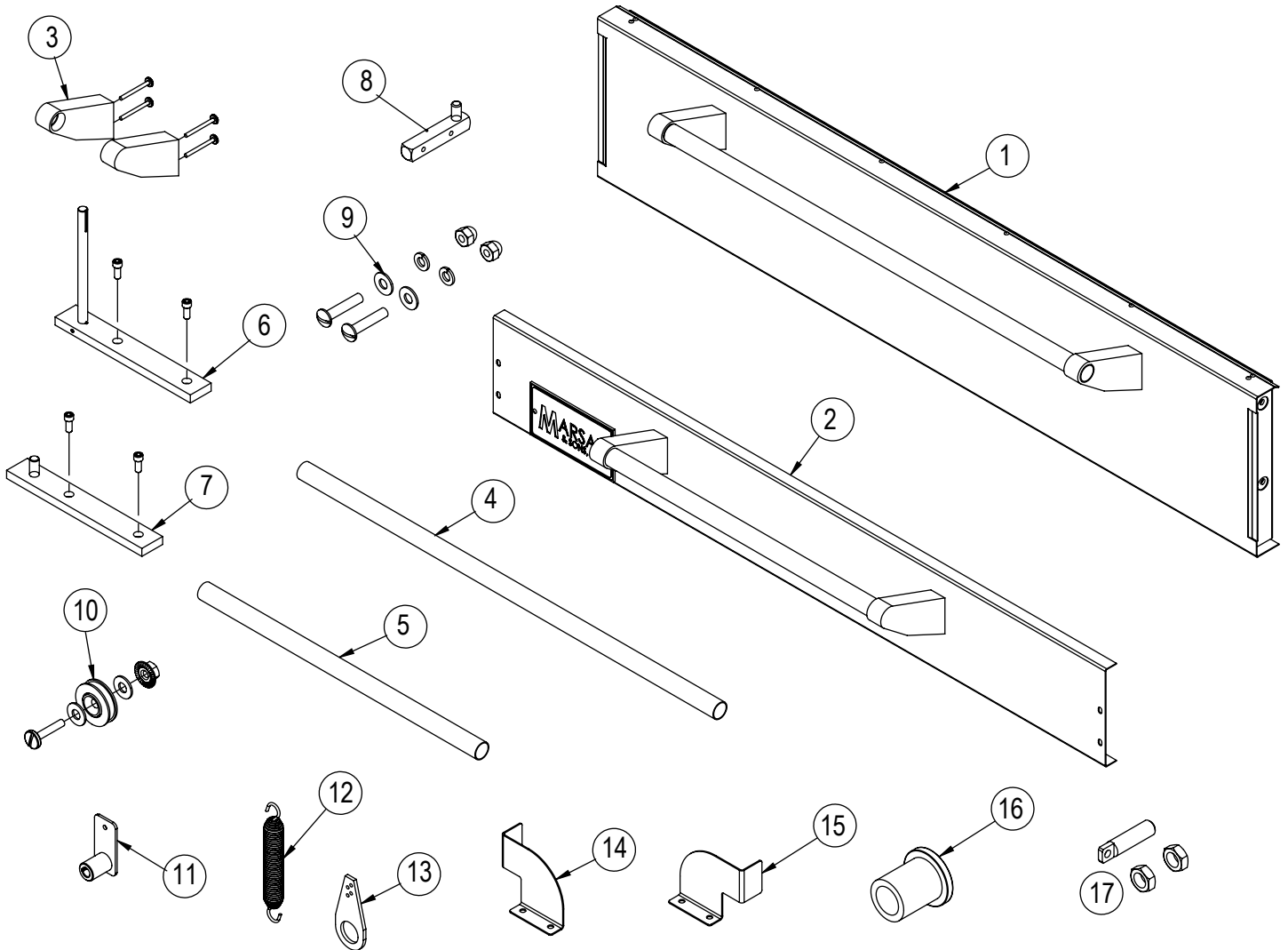
REF. NO.	PART NO.	DESCRIPTION
	71987	Natural to LP Gas Conversion Kit
1	70386	Gas Regulator, LP
2	See Chart	Burner Orifice, LP
3	72708	Pilot Upgrade Kit, NAT or LP
4	71949	Close Nipple, 1/2 NPT (Qty 2)

REF. NO.	PART NO.	DESCRIPTION
	71988	LP to Natural Gas Conversion Kit
1	70385	Gas Regulator, NAT
2	See Chart	Burner Orifice, NAT
3	72708	Pilot Upgrade Kit, NAT or LP
4	71949	Close Nipple, 1/2 NPT (Qty 2)

SD BURNER ORIFICES		
MODEL	NATURAL	PROPANE
SD236	70382	70471
SD248	70384	70468
SD260	70469	70470
SD448/SD1048	70381	70492
SD660/SD1060	70383	70491
SD866/SD10866	70383	70491

DOOR PARTS

SD 448 OVEN

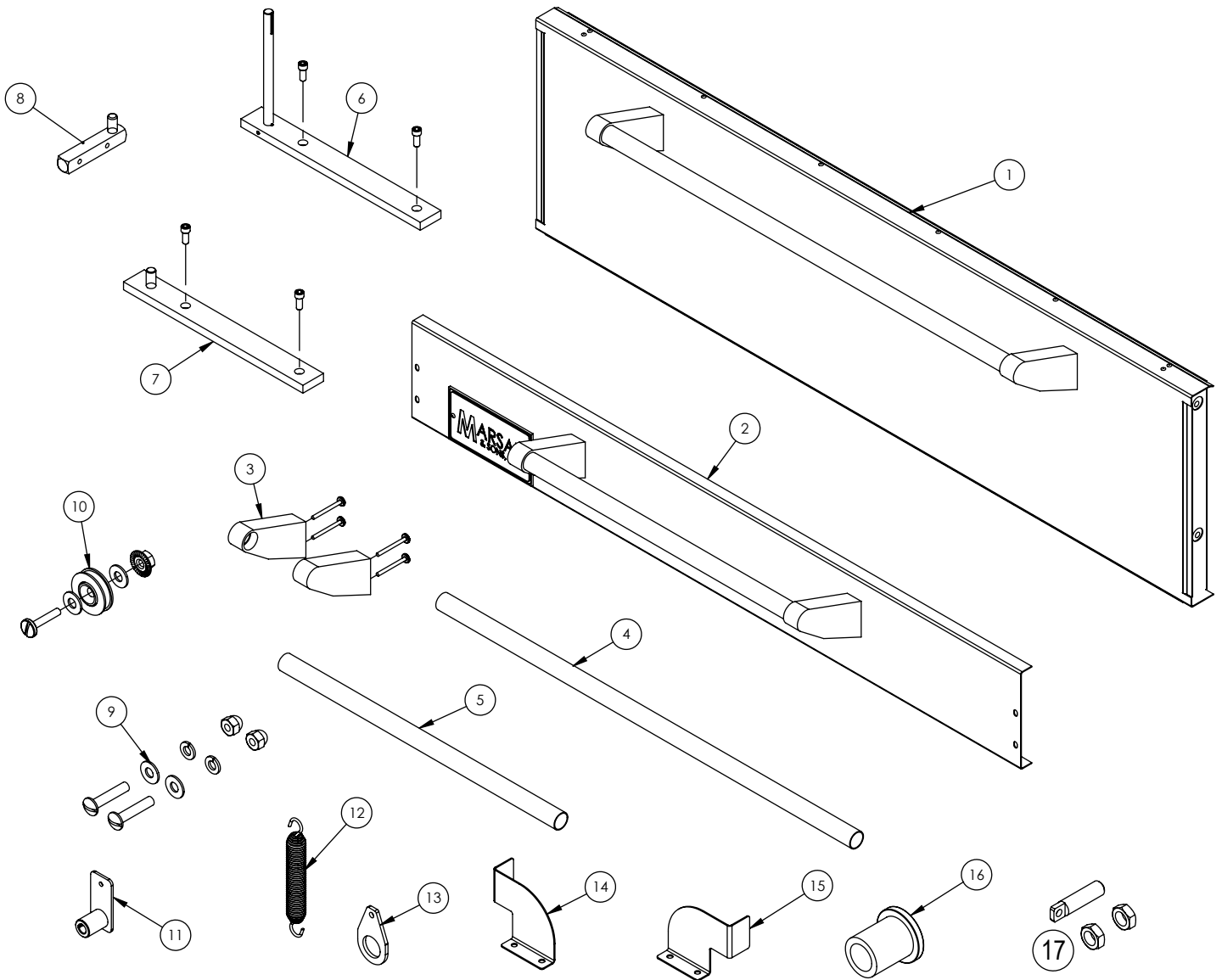


REF. NO.	PART NO.	DESCRIPTION
1	71913	BAKING DOOR SVC KIT, SD448
2	71982	BURNER DOOR SVC KIT, SD448
3	71892	SD DOOR HANDLE BRACKET KIT
4	70429	30" DOOR HANDLE, S/S
5	71138	20" DOOR HANDLE, S/S
6	71886	SD OVEN DOOR HINGE KIT, LH
7	71890	SD 10" OVEN DOOR HINGE KIT, RH
8	70143	BURNER DOOR HINGE ASSY
9	71930	BURNER DOOR HINGE HARDWARE KIT

REF. NO.	PART NO.	DESCRIPTION
10	71910	SPRING WHEEL KIT
11	71126	COUPLING ASSY
12	70416	SPRING
13	70432	TEAR DROP, 4-3/8"
14	70671	BURNER DOOR STOP, RH
15	70107	BURNER DOOR STOP, LH
16	70154	BUSHING, DOOR PIN
17	72286	SPRING ANCHOR KIT

DOOR PARTS

SD 1048 OVEN

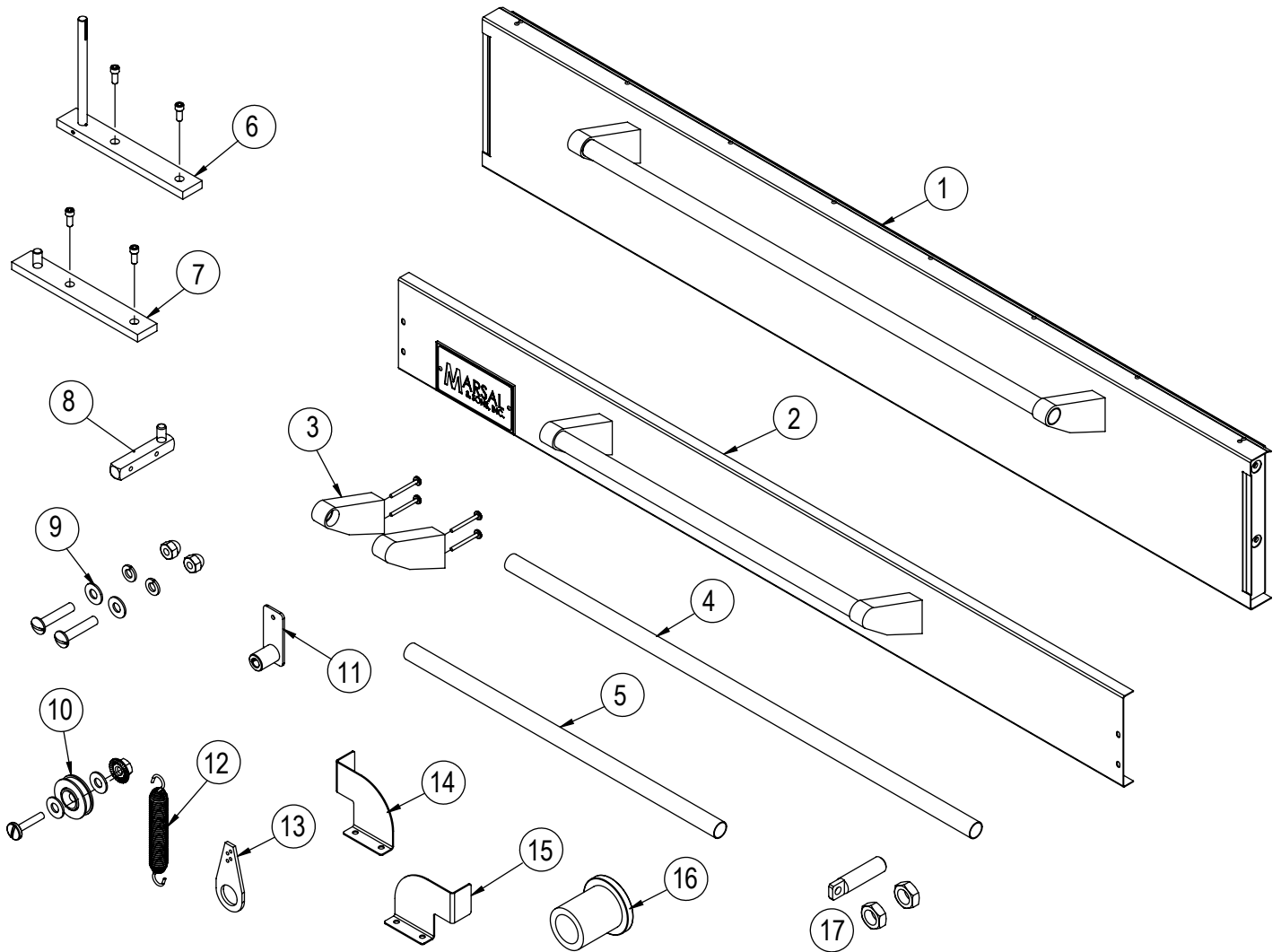


REF. NO.	PART NO.	DESCRIPTION
1	71915	BAKING DOOR SVC KIT, SD1048
2	71982	BURNER DOOR SVC KIT, SD448
3	71892	SD DOOR HANDLE BRACKET KIT
4	70429	30" DOOR HANDLE, S/S
5	71138	20" DOOR HANDLE, S/S
6	71888	SD OVEN DOOR HINGE KIT, LH
7	71891	SD 13-1/4" OVEN DOOR HINGE KIT, RH
8	70143	BURNER DOOR HINGE ASSY
9	71930	BURNER DOOR HINGE HARDWARE KIT

REF. NO.	PART NO.	DESCRIPTION
10	71910	SPRING WHEEL KIT
11	71126	COUPLING ASSY
12	70416	SPRING
13	70480	TEAR DROP, 3-3/8"
14	70671	BURNER DOOR STOP, RH
15	70107	BURNER DOOR STOP, LH
16	70154	BUSHING, DOOR PIN
17	72286	SPRING ANCHOR KIT

DOOR PARTS

SD 660 OVEN

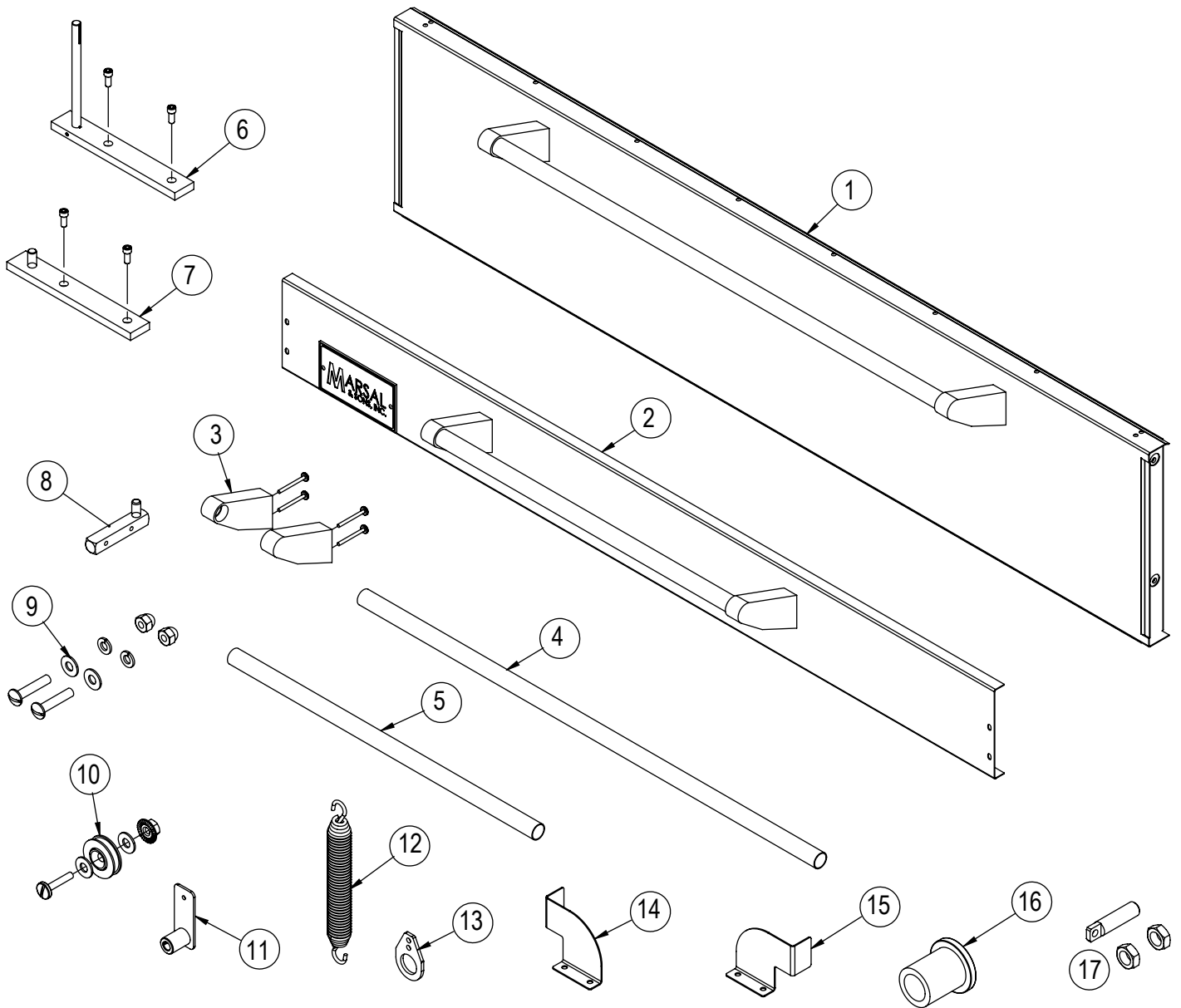


REF. NO.	PART NO.	DESCRIPTION
1	71912	BAKING DOOR SVC KIT, SD660
2	71981	BURNER DOOR SVC KIT, SD660
3	71892	SD DOOR HANDLE BRACKET KIT
4	70430	36" DOOR HANDLE, S/S
5	70431	24" DOOR HANDLE, S/S
6	71886	SD OVEN DOOR HINGE KIT, LH
7	71890	SD 10" OVEN DOOR HINGE KIT, RH
8	70143	BURNER DOOR HINGE ASSY
9	71930	BURNER DOOR HINGE HARDWARE KIT

REF. NO.	PART NO.	DESCRIPTION
10	71910	SPRING WHEEL KIT
11	71043	COUPLING ASSY
12	70416	SPRING
13	70432	TEAR DROP, 4-3/8"
14	70671	BURNER DOOR STOP, RH
15	70107	BURNER DOOR STOP, LH
16	70154	BUSHING, DOOR PIN
17	72286	SPRING ANCHOR KIT

DOOR PARTS

SD 1060 OVEN

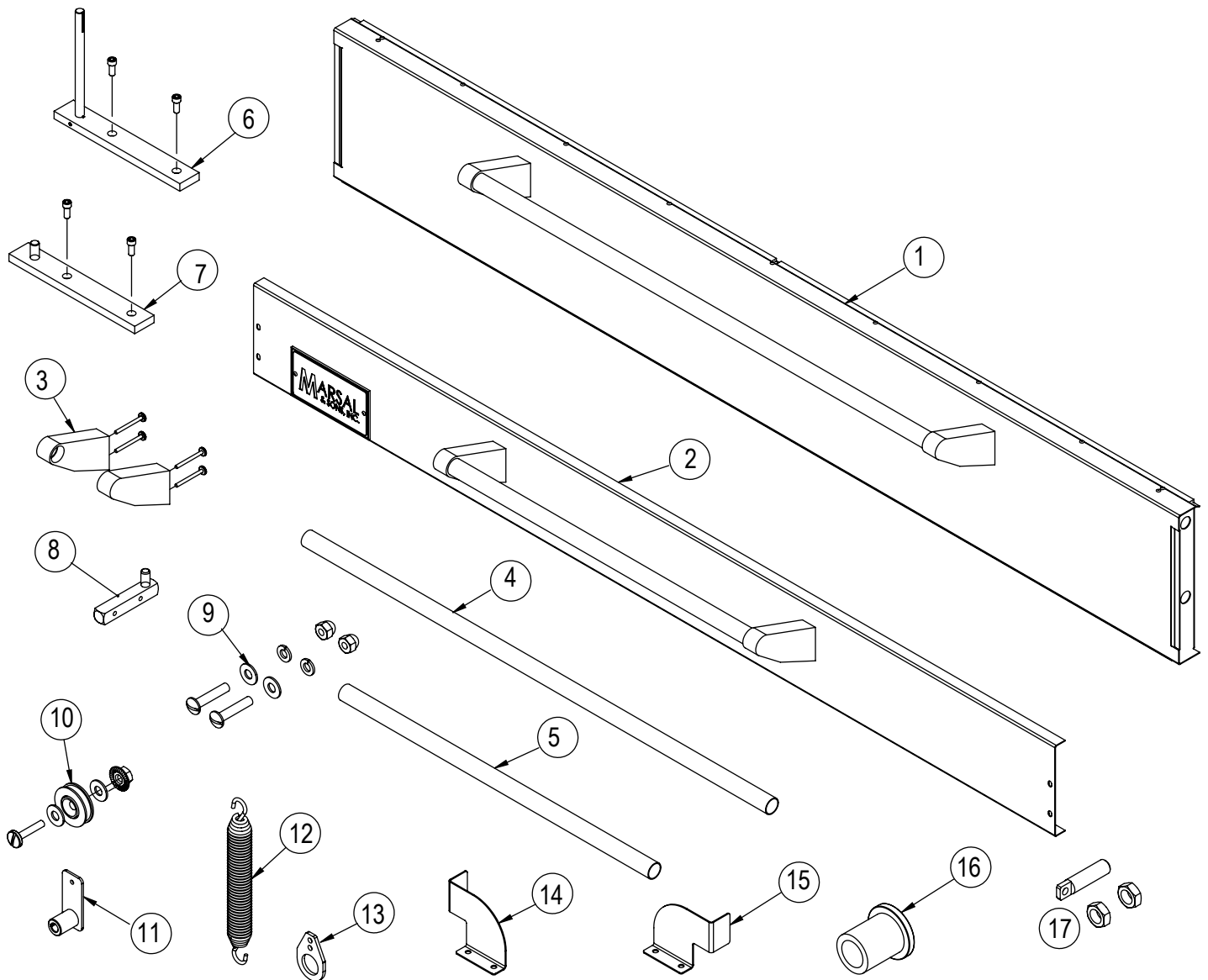


REF. NO.	PART NO.	DESCRIPTION
1	71916	BAKING DOOR SVC KIT, SD1060
2	71981	BURNER DOOR SVC KIT, SD660
3	71892	SD DOOR HANDLE BRACKET KIT
4	70430	36" DOOR HANDLE, S/S
5	70431	24" DOOR HANDLE, S/S
6	71888	SD OVEN DOOR HINGE KIT, LH
7	71891	SD 13-1/4" OVEN DOOR HINGE KIT, RH
8	70143	BURNER DOOR HINGE ASSY
9	71930	BURNER DOOR HINGE HARDWARE KIT

REF. NO.	PART NO.	DESCRIPTION
10	71910	SPRING WHEEL KIT
11	71149	COUPLING ASSY
12	70417	SPRING
13	71182	TEAR DROP, 3"
14	70671	BURNER DOOR STOP, RH
15	70107	BURNER DOOR STOP, LH
16	70154	BUSHING, DOOR PIN
17	72286	SPRING ANCHOR KIT

DOOR PARTS

SD 866 OVEN

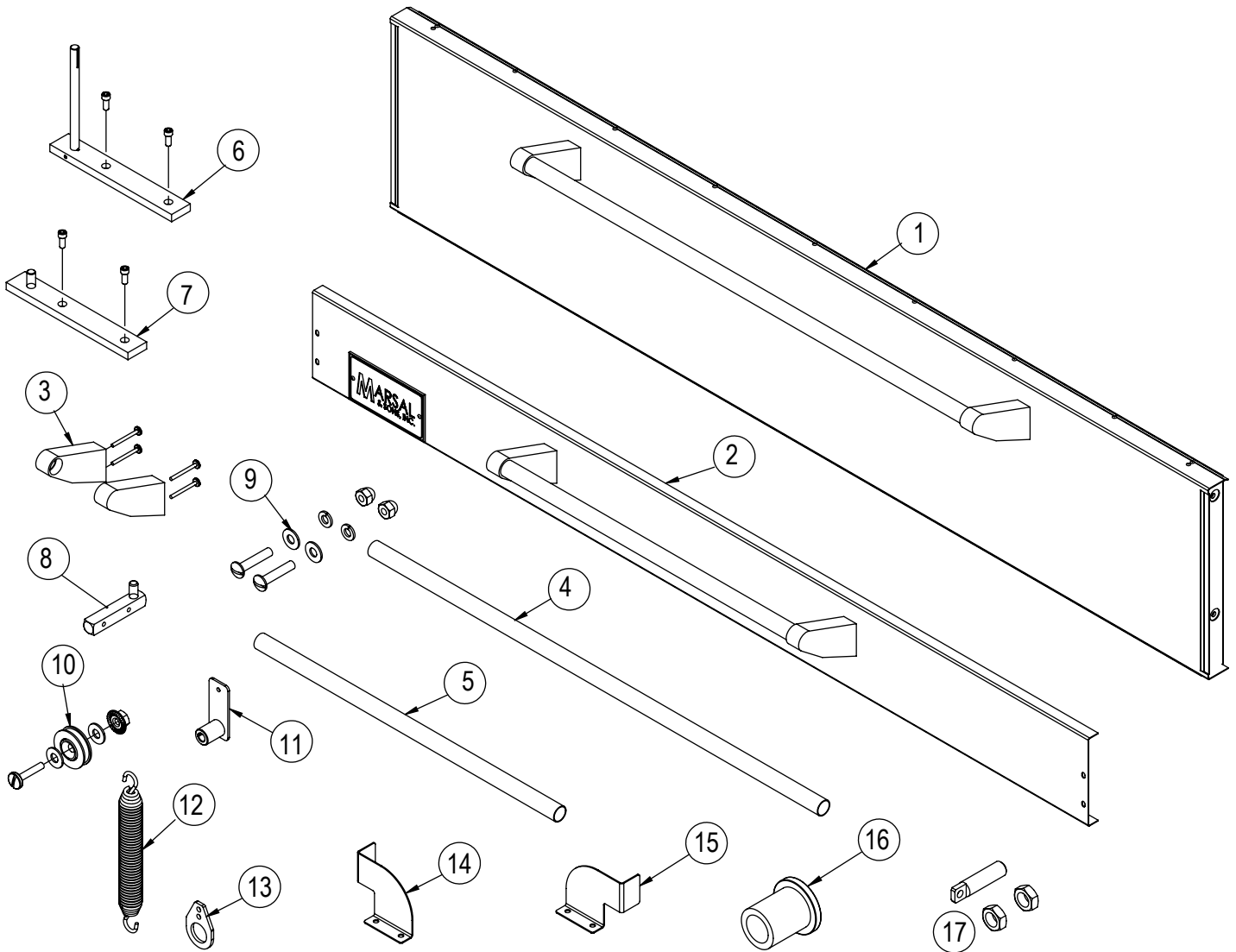


REF. NO.	PART NO.	DESCRIPTION
1	71914	BAKING DOOR SVC KIT, SD866
2	71983	BURNER DOOR SVC KIT, SD866
3	71892	SD DOOR HANDLE BRACKET KIT
4	70430	36" DOOR HANDLE, S/S
5	70431	24" DOOR HANDLE, S/S
6	71886	SD OVEN DOOR HINGE KIT, LH
7	71890	SD 10" OVEN DOOR HINGE KIT, RH
8	70143	BURNER DOOR HINGE ASSY
9	71930	BURNER DOOR HINGE HARDWARE KIT

REF. NO.	PART NO.	DESCRIPTION
10	71910	SPRING WHEEL KIT
11	71043	COUPLING ASSY
12	70417	SPRING
13	71182	TEAR DROP, 3"
14	70671	BURNER DOOR STOP, RH
15	70107	BURNER DOOR STOP, LH
16	70154	BUSHING, DOOR PIN
17	72286	SPRING ANCHOR KIT

DOOR PARTS

SD 10866 OVEN

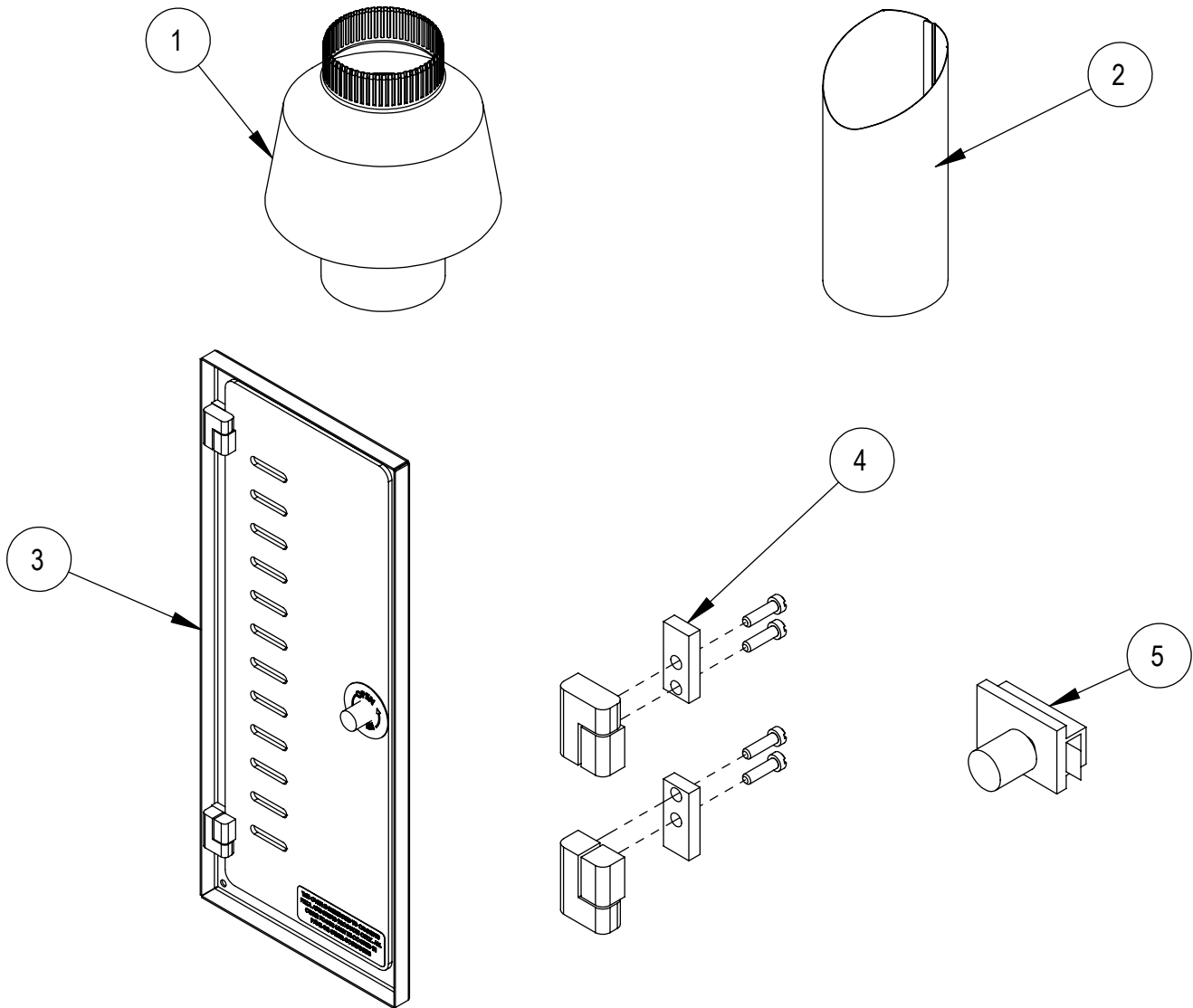


REF. NO.	PART NO.	DESCRIPTION
1	71917	BAKING DOOR, SD10866
2	71983	BURNER DOOR SVC KIT, SD866
3	71892	SD DOOR HANDLE BRACKET KIT
4	70430	36" DOOR HANDLE, S/S
5	70431	24" DOOR HANDLE, S/S
6	71888	SD OVEN DOOR HINGE KIT, LH
7	71891	SD 13-1/4" OVEN DOOR HINGE KIT, RH
8	70143	BURNER DOOR HINGE ASSY
9	71930	BURNER DOOR HINGE HARDWARE KIT

REF. NO.	PART NO.	DESCRIPTION
10	71910	SPRING WHEEL KIT
11	71043	COUPLING ASSY
12	70417	SPRING
13	71182	TEAR DROP, 3"
14	70671	BURNER DOOR STOP, RH
15	70107	BURNER DOOR STOP, LH
16	70154	BUSHING, DOOR PIN
17	72286	SPRING ANCHOR KIT

SD CONTROL DOOR AND FLUES

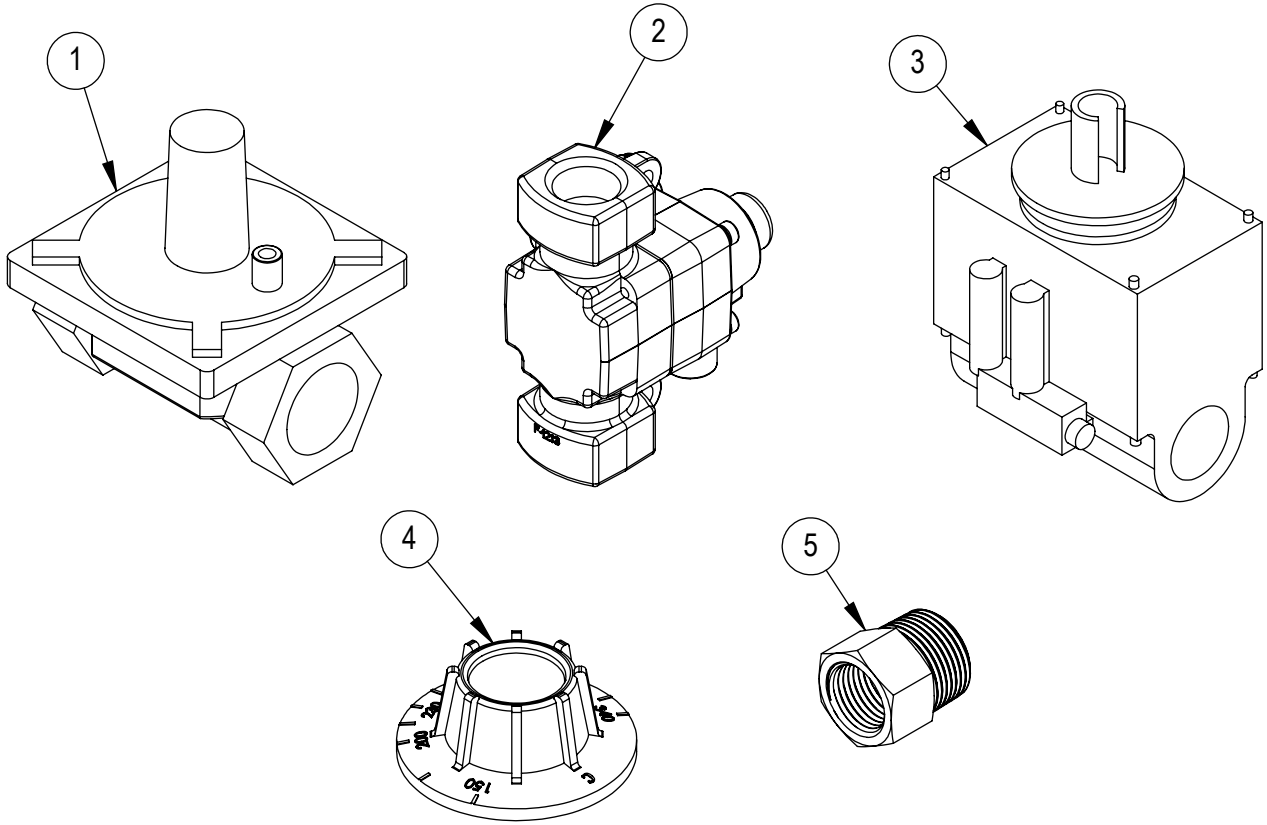
ALL OVENS



REF. NO.	PART NO.	DESCRIPTION
1	70427	DRAFT HOOD
2	70103	CHIMNEY TOP
3	71067	SD CONTROL DOOR ASSY W/ S/S TRIM
4	71905	CONTROL DOOR HINGE KIT
5	70128	LATCH, CONTROL PANEL

CE APPROVED COMPONENTS

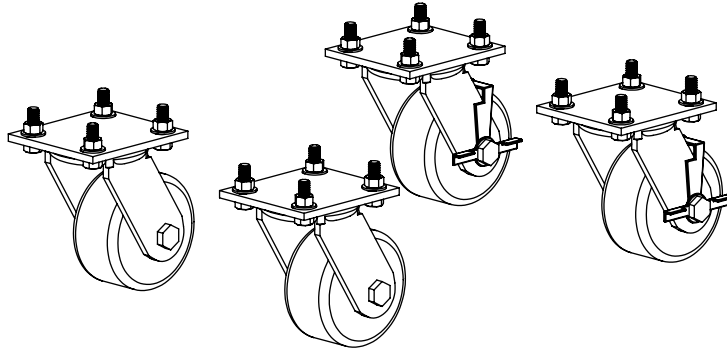
ALL OVENS



REF. NO.	PART NO.	DESCRIPTION
1	72288	PRESSURE REGULATOR, CE
2	72289	GAS VALVE, CE
3	72443	THERMOSTAT, CE
4	9635	KNOB, THERMOSTAT, CE
5	72276	ADAPTER, 1/2 NPT, FEM X 3/4 BSPT

ACCESSORIES

ALL OVENS



REF. NO.	PART NO.	DESCRIPTION
1	72546	CASTERS, SET OF 4