



Project _____
 Item No. _____
 Quantity _____

SD SLICE SERIES

Gas Deck Pizza Ovens

Model(s) Available

- SD 236** - One short depth single oven with a 24" x 36" cooking surface
- SD 236 Double** - Two short depth ovens with 24" x 36" cooking surfaces
- SD 236 Triple** - Three short depth ovens with 24" x 36" cooking surfaces



Construction

- A spring balanced door provides easy access to the baking chamber
- Exclusive Marsal burner for superior bake
- 1-1/2" thick cooking surface
- 0" clearance on both sides to a combustable wall using ultra high temperature fiberglass insulation
- 18 gauge stainless steel top, sides and doors
- Heavy duty adjustable legs are welded to the oven's base

Operation

- Thermostatically controlled from 300°F to 650°F

Standard Features

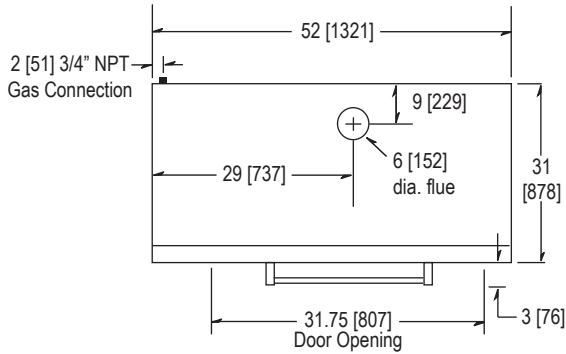
- Warranty: 1 year labor, 18 months parts

Options & Accessories

(AT ADDITIONAL CHARGE)

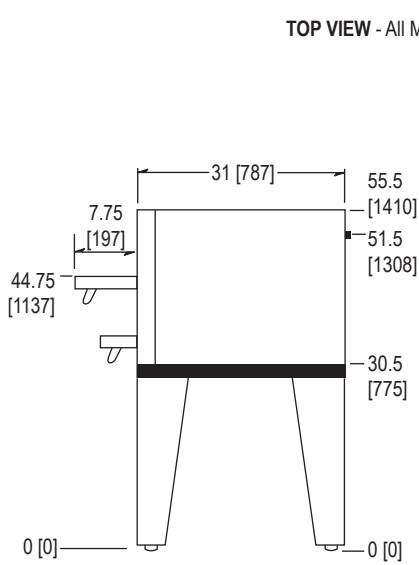
- Set of (4) casters
- Fiberbrick lined baking chamber
- Autostart timer

SHORT FORM SPECIFICATIONS: Provide Marsal SD 236 (single, double or triple) short depth slice oven(s). Unit shall have a spring balanced door provides easy access to the baking chamber with a 1-1/2" thick cooking surface. The Marsal burner supplies a superior bake. 0" clearance on both sides to a combustable wall using ultra high temperature fiberglass insulation. Oven top, sides and doors are build of 18 gauge stainless steel. The heavy duty adjustable legs are welded to the oven's base. Thermostatically controlled from 300°F to 650°F. Provide with eighteen month oven parts and one year labor warranty. Provide with options and accessories as indicated.

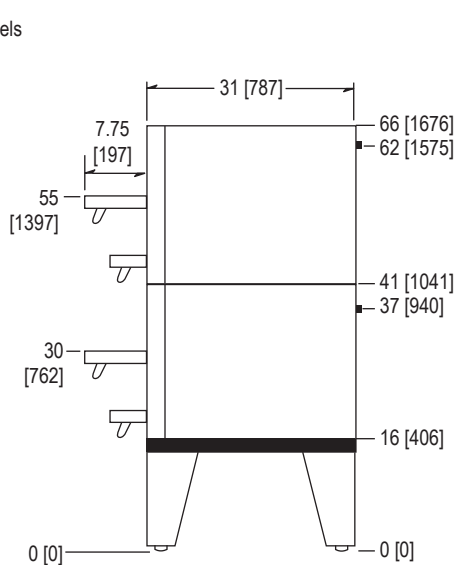


DIMENSIONS ARE IN INCHES [MM]

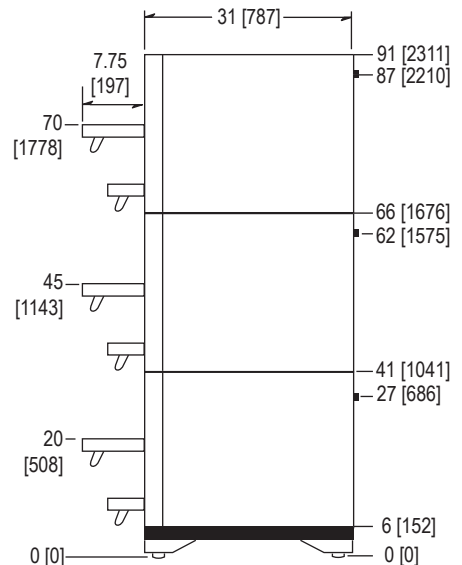
TOP VIEW - All Models



SIDE VIEW - Single Model



SIDE VIEW - Double Model



SIDE VIEW - Triple Model

Specifications

	SD 236	SD 236 Double	SD236 Triple
Height	55.5" [1410]	66" [1676]	91" [2311]
Depth & Length	31" x 52" [787 x 1321]	31" x 52" [787 x 1321]	31" x 52" [787 x 1321]
Cooking Surface	24" x 36" [610 x 914]	(2) 24" x 36" [610 x 914]	(3) 24" x 36" [610 x 914]
Clearances	3" space must be left at the rear to allow adequate clearance for air openings		
BTUs	LP: 50,000 NAT: 50,000	LP: (2) 50,000 NAT: (2) 50,000	LP: (3) 50,000 NAT: (3) 50,000
Shipping Weight	780 lbs (354 kg)	1490 lbs (676 kg)	TBD

All designs and specifications presented in this document are subject to change without notice due to constant innovation.